



Edge Automation – Potential Strategies for Deploying ONAP at Edge

Evgeniy Zhukov, Netcracker

Beijing. Aug 2018

Our Proposal

- Additional scope to be considered in ONAP for Edge Application Management – as per MEC guidelines
- ONAP deployment to suit edge automation scenarios
- MVP closely following the standards to enable interoperability.

Reference Implementation of Reference Architecture

- Step1. MVP “Orchestration Level”:

- MEAO
- Ref Points: Mm1, Mv1

- Step2. “Management Level”:

- MEMPM-V
- ME Platform LCM
- ME App LCM
- Ref Points: Mm2, Mm3*, Mv2, Mm6

- Step3. “Platform and Applications”:

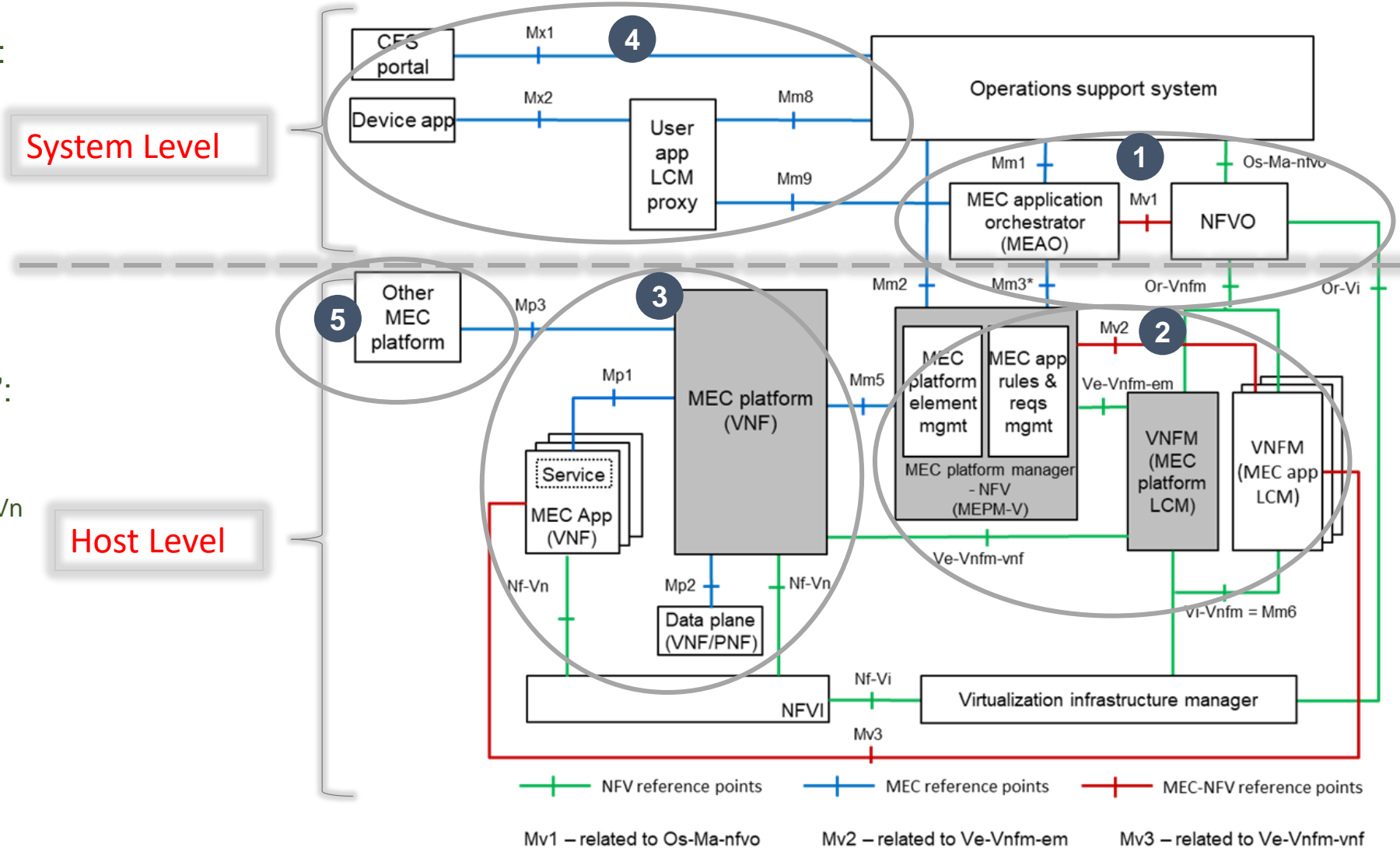
- ME Platform
- ME Application
- Ref Points: Mm5, Mp1, Mp2, Mv3, Nf-Vn

- Step4. “External Interfaces”

- CFS Portal
- UE Application
- User App LCM Proxy
- Ref Points: Mx1, Mx2, Mm8, Mm9

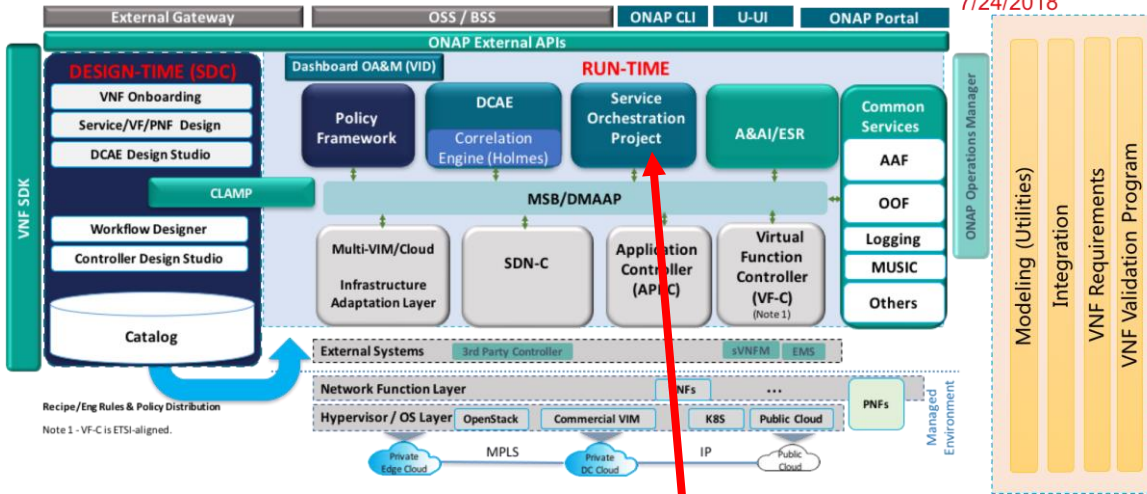
- Step5. “Network Edge”:

- Ref Point: Mp3

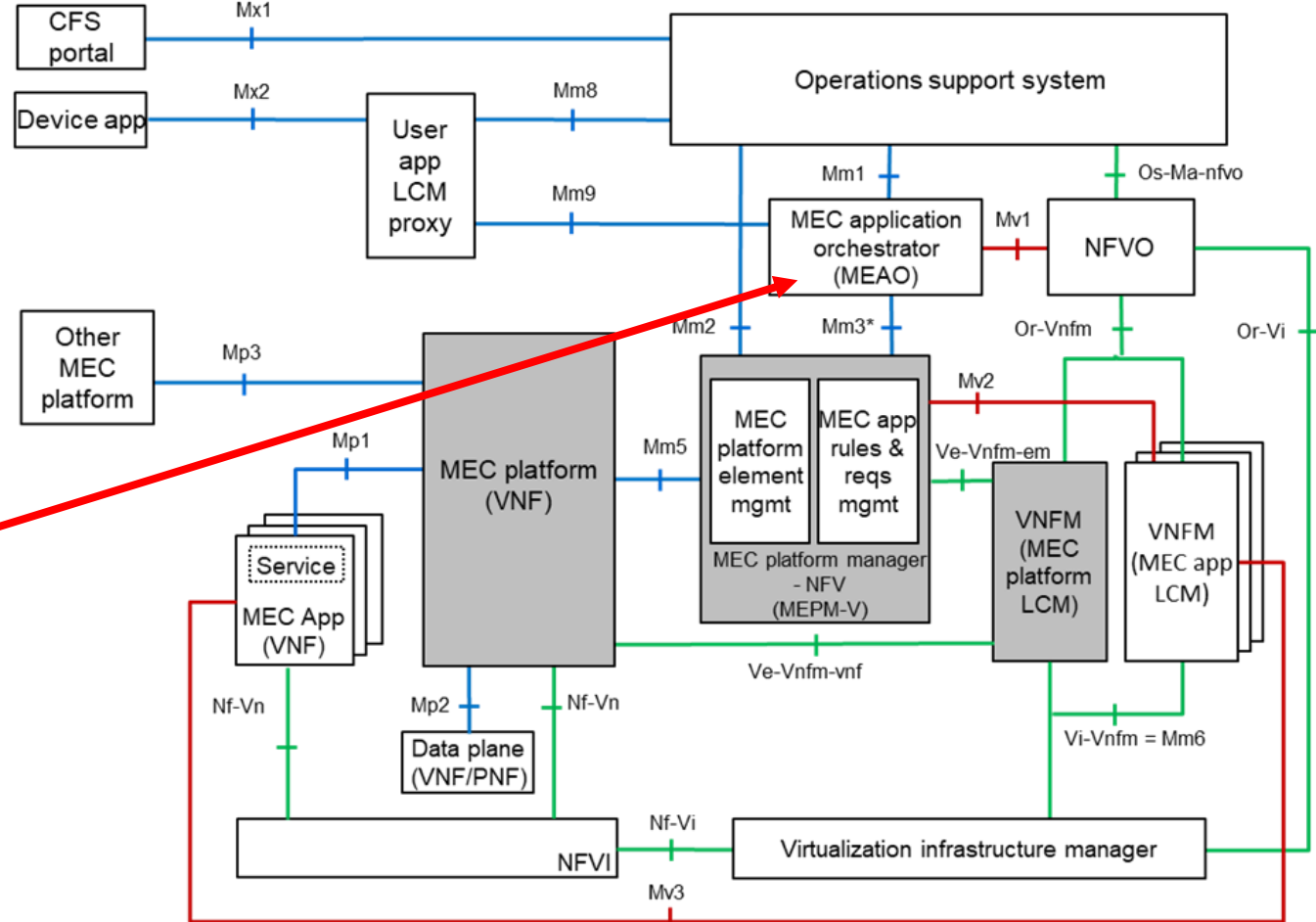


ONAP SO for ETSI MEAO

Version 3.0.2
7/24/2018



Support Distributed Cloud Application Orchestration



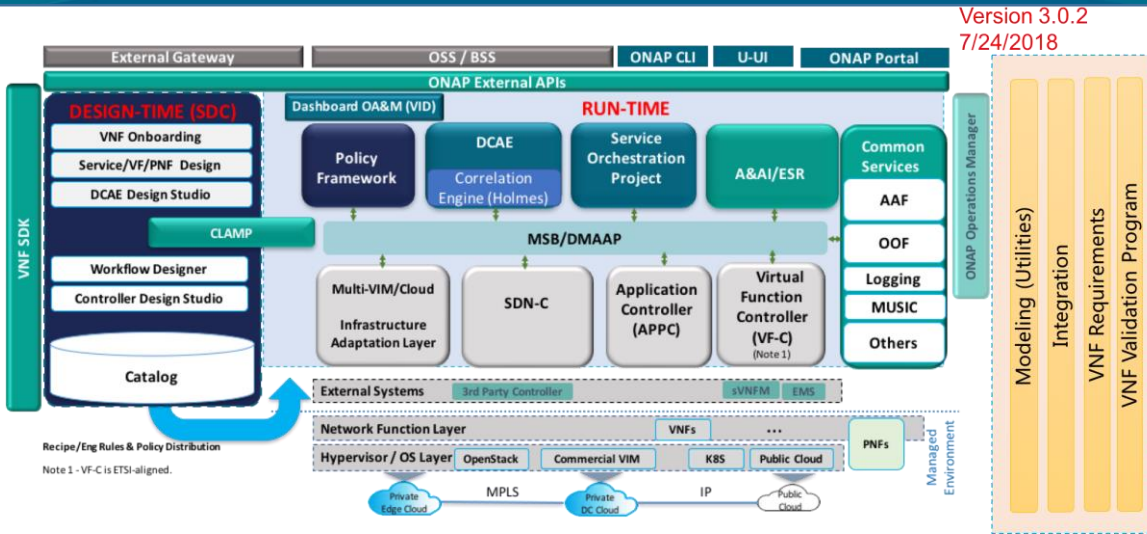
+ NFV reference points
 + MEC reference points
 + MEC-NFV reference points

Mv1 – related to Os-Ma-nfvo

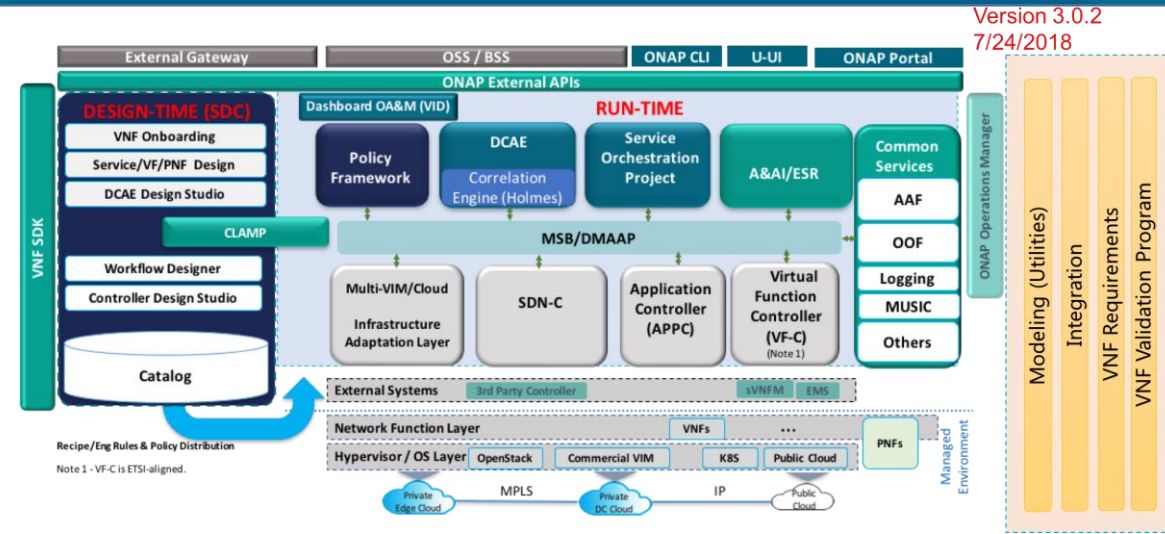
Mv2 – related to Ve-Vnfm-em

Mv3 – related to Ve-Vnfm-vnf

MEC – is a prune and refactored ONAP instance



MEC-NFV
Ref Points



ONAP instance
(VNF LCM)

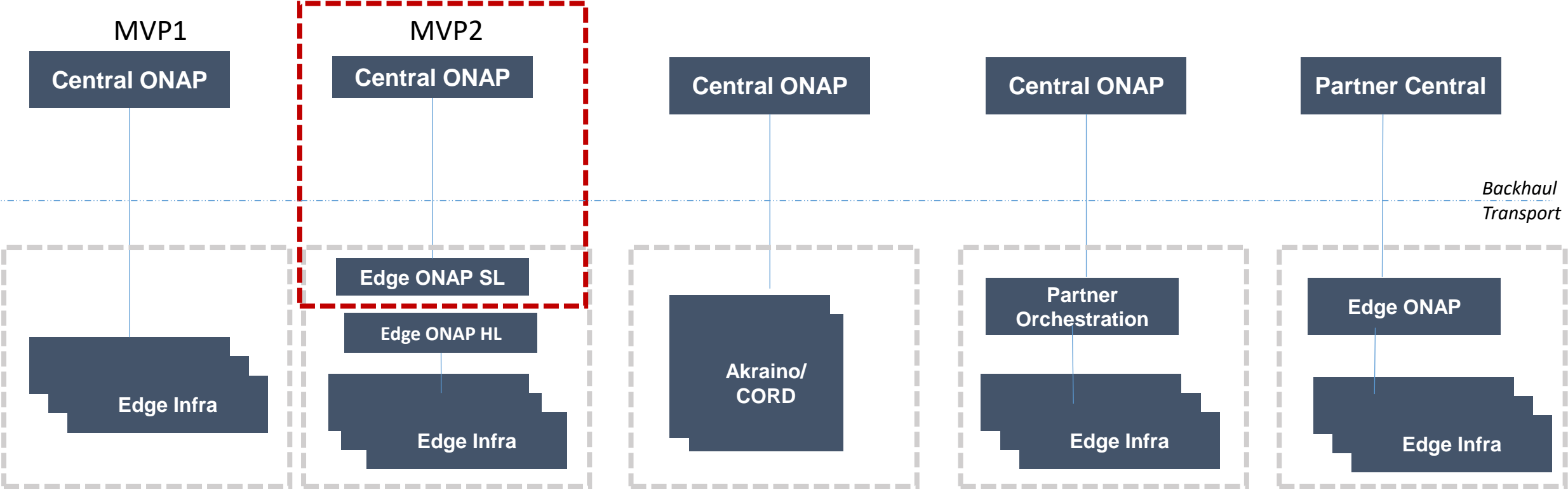


prune and
refactoring



Light ONAP Instance
(AF LCM)

Potential ONAP Edge Deployment Scenarios



Edge without a local Orchestration Solution

Edge with local ONAP Orchestration Solution

Edge with Akraino connected to Central ONAP

Partner Edge with non-ONAP Orchestration Solution

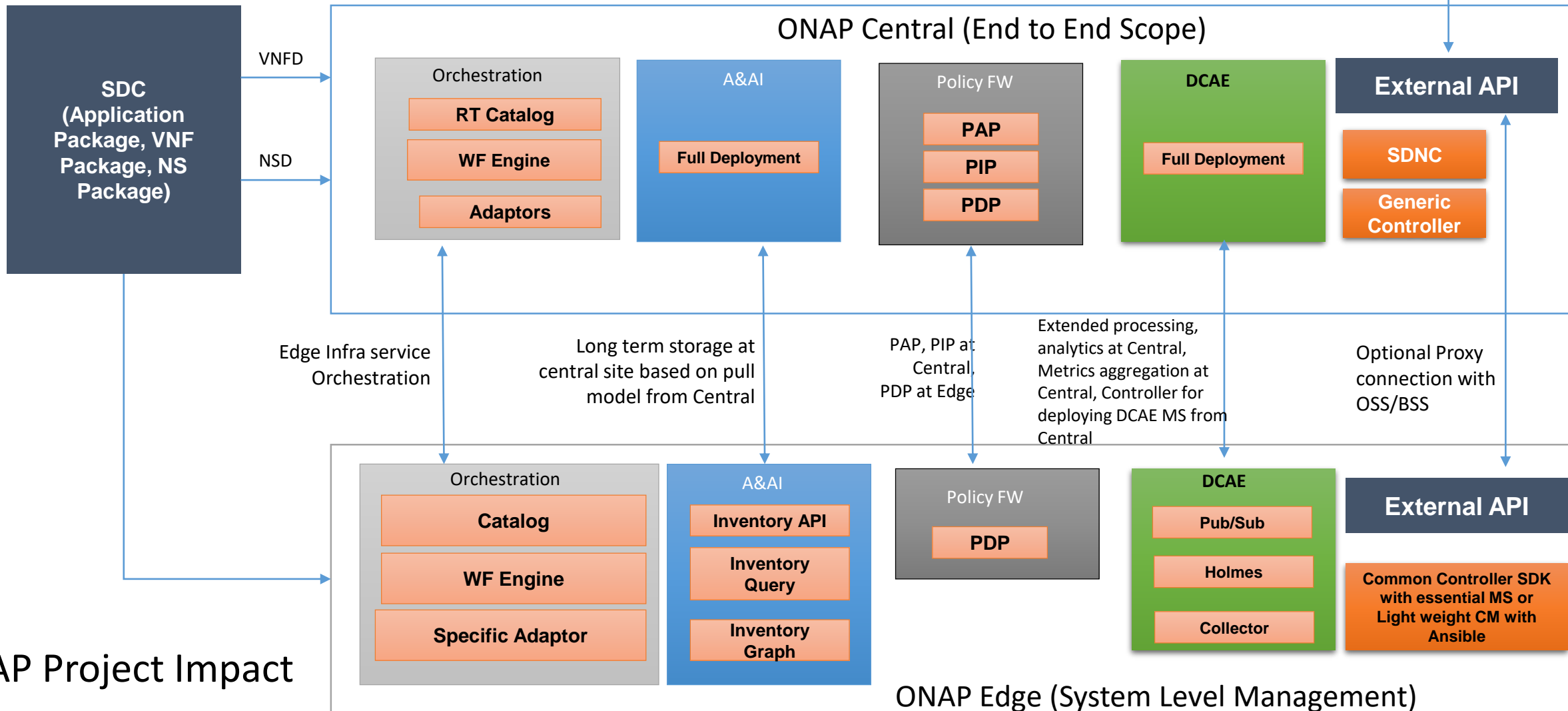
ONAP at Edge Connected to a Partner Central Orchestrator

MVP1 – current candidate
 MVP2 – new proposal candidate

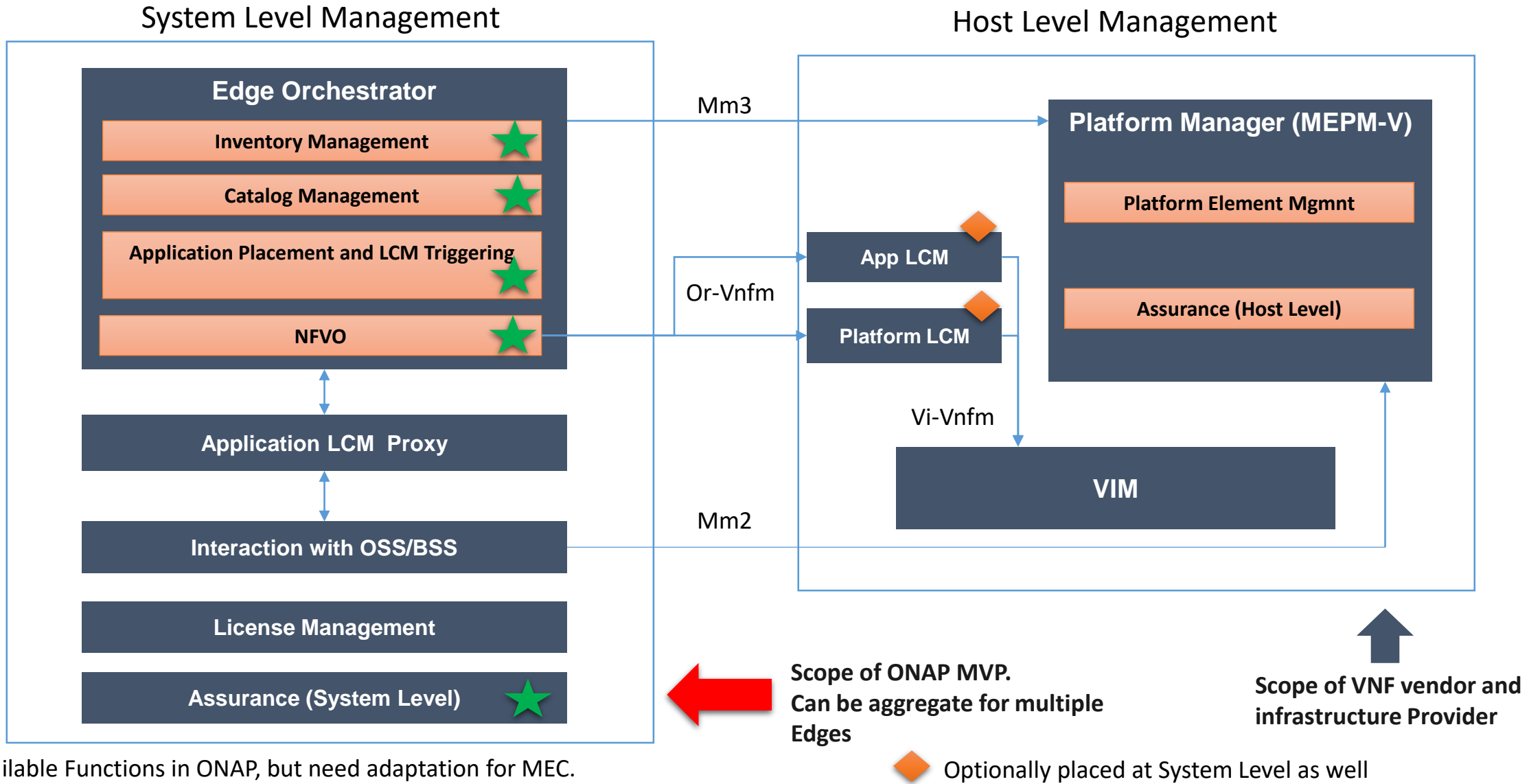
Central and Edge ONAP – not mean physical location of ONAP instance, but responsibility.

An MVP View for ONAP at Edge and Central

OSS/BSS



Typical Management Functionalities at Edge for various NFV based Use Cases (General) – Reference ETSI MEC



Summary – What we are suggesting ?

- MEC recommends separation of System Level and Host Level Management
- Accommodate System Level Management Capabilities for Edge ONAP
- Enhance ONAP scope to handle Application Orchestration
 - Modelling constructs to support Application Descriptors
 - License Management of Applications
 - Application onboarding and instantiation workflows
 - End user dynamic application instantiation capability

Next Steps

- Wiki pages detailing (target: Dublin)
 - A study on the impact of Application Orchestration on ONAP
 - A study on aligning ONAP with MEC Architecture
- A use case proposal for edge application orchestration through ONAP (target: Dublin)



ONAP

OPEN NETWORK AUTOMATION PLATFORM

Thanks