



ETSI-Alignment Task Force SOL002 Adapter

December 10, 2019

Samuli Silvius, Miroslaw Medrek Samsung

Orchestration Scenarios (a.k.a. ETSI-Alignment) Task Force weekly meeting,
Weekly meeting: Mondays at 12PM UTC, 5AM PT, 8AM ET, 2PM CET, 5:30PM India, 8PM China.
<https://zoom.us/j/722438866>
One tap mobile: +16699006833,,722438866# US (San Jose) +16465588656,,722438866#
US (New York)

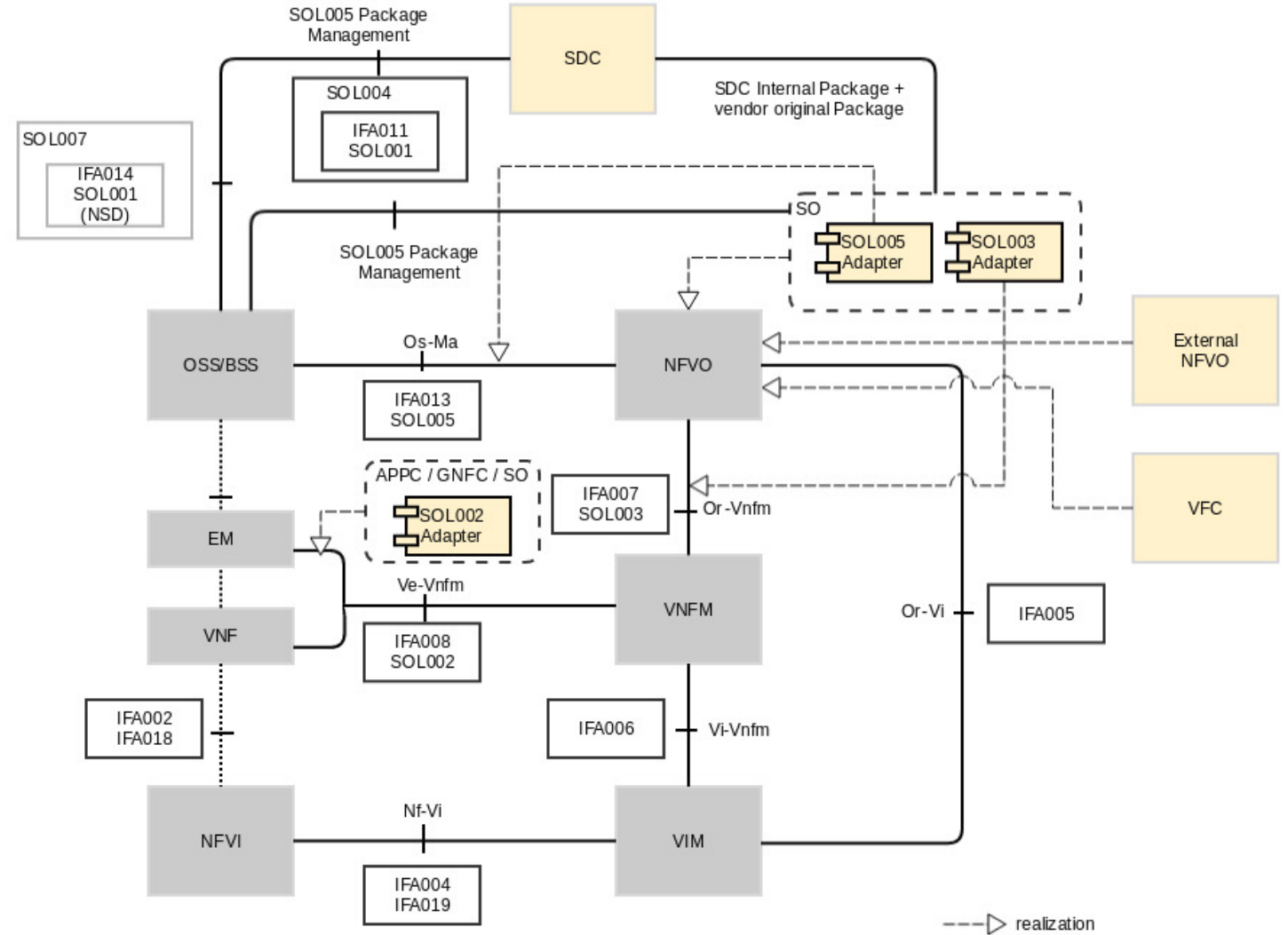
ETSI MANO and ONAP ETSI Alignment Landscape

As part of aligning ONAP to ETSI MANO, ONAP will support ETSI standards for packaging, operations, security and monitoring for managing VNF, PNF and NS.

- For packaging, the SOL004 standard is used for the VNF and PNF package, and the SOL007 standard will be used for the NS package
- VNF, PNF and NS will be described by the SOL001 standard.
- For VNF LCM, Package Management, LCM operations and Monitoring, the SOL003 standard is used.
- For NS LCM and Package Management, LCM operations and Monitoring, the SOL005 standard is used.
- For VNFC-level EM triggered scenarios (LCM, Fault, Performance, Configuration), the SOL002 standard is used.
- ETSI Package and communication security will be supported.

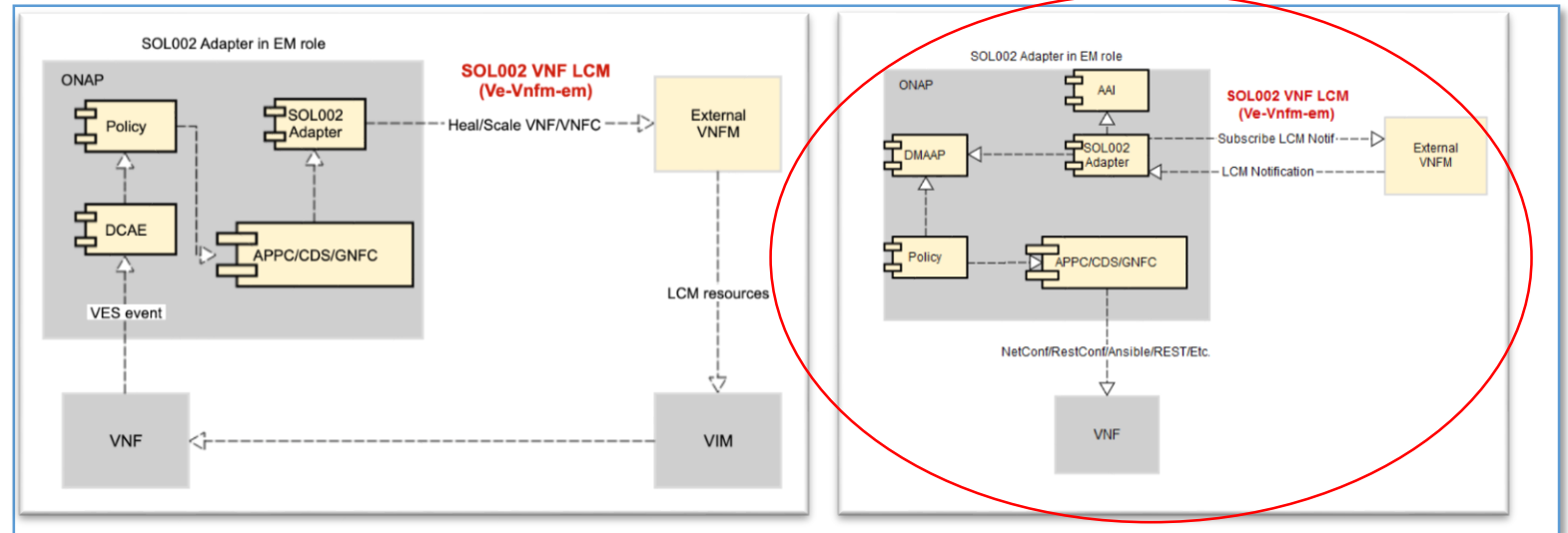
ONAP components realization of ETSI MANO

- SDC will realize SOL004 and SOL007 package onboarding, design and distribution functionalities.
- External NFVO and VFC will realize the NFVO functionalities.
- SOL003 Adapter will realize the Or-Vnfm (SOL003) interface.
- SOL005 Adapter will realize the Os-Ma (SOL005) interface.
- **SOL002 Adapter will realize the Ve-Vnfm (SOL002) interface.**

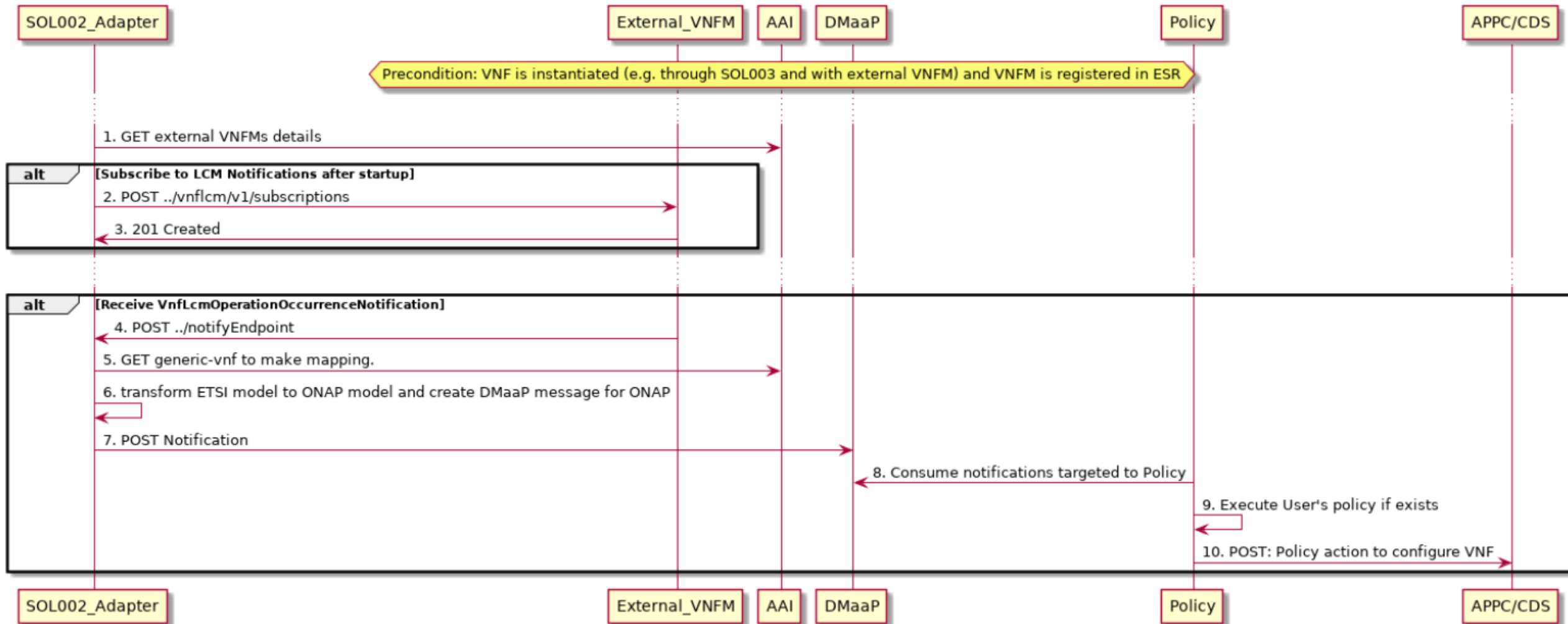


SOL002 Adapter Architecture & Use Cases

- SOL002 Adapter will be a Microservice that makes connections between VNFM and ONAP (as EM) through SOL002 standards.
 - SOL002 Adapter deployment location is under discussion.
- SOL002 Adapter will support the following Use Cases
 1. VNF/VNFC LCM (Ve-Vnfm-em)
 - LCM Action Execution towards SVNFM (Future)
 - ONAP Close Loop will be supported (Heal/Scale VNF/VNFC through SOL002)
 - VNF-Level (possibly VNFC-level) Homing requests to OOF would be necessary.
 - **LCM Notification Subscribing/Consuming**
 - **SOL002 Adapter will receive VNFM notifications and perform VNF/VNFC Configuration.**



SOL002 Frankfurt Use Case – Sequence diagram



SOL002 Adapter location

Question:

Where to put the SOL002 adapter code?



ONAP

OPEN NETWORK AUTOMATION PLATFORM