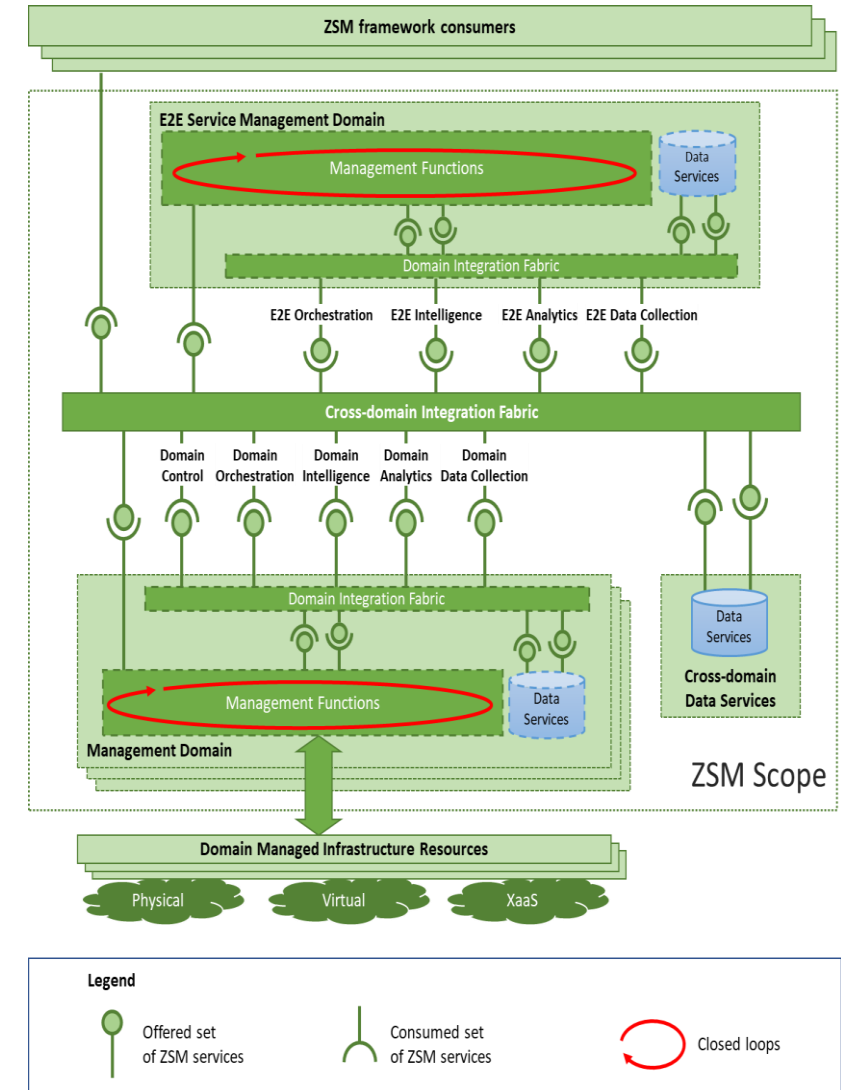


ONAP in ETSI ZSM Architecture

A proposal for discussion by
Amdocs, DT, Ericsson, Huawei, Nokia

ETSI-ZSM ISG Role & Activities

- Industry Specification Group Zero touch network and Service Management (ISG ZSM)
 - Intention to provide future-proof, horizontal and vertical end-to-end operable framework
- The goal is to have all operational processes and tasks (e.g. delivery, deployment, configuration, assurance, and optimization) executed automatically, ideally with 100% automation
- Providing guidance for implementation of management interfaces as well as coordinating and giving directions to achieve automated end-to-end network and service management solutions and architecture
- Review and reuse existing standardized solutions wherever applicable, and conduct feasibility studies

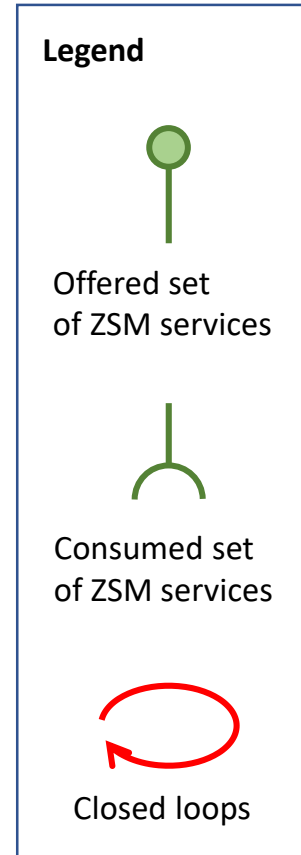
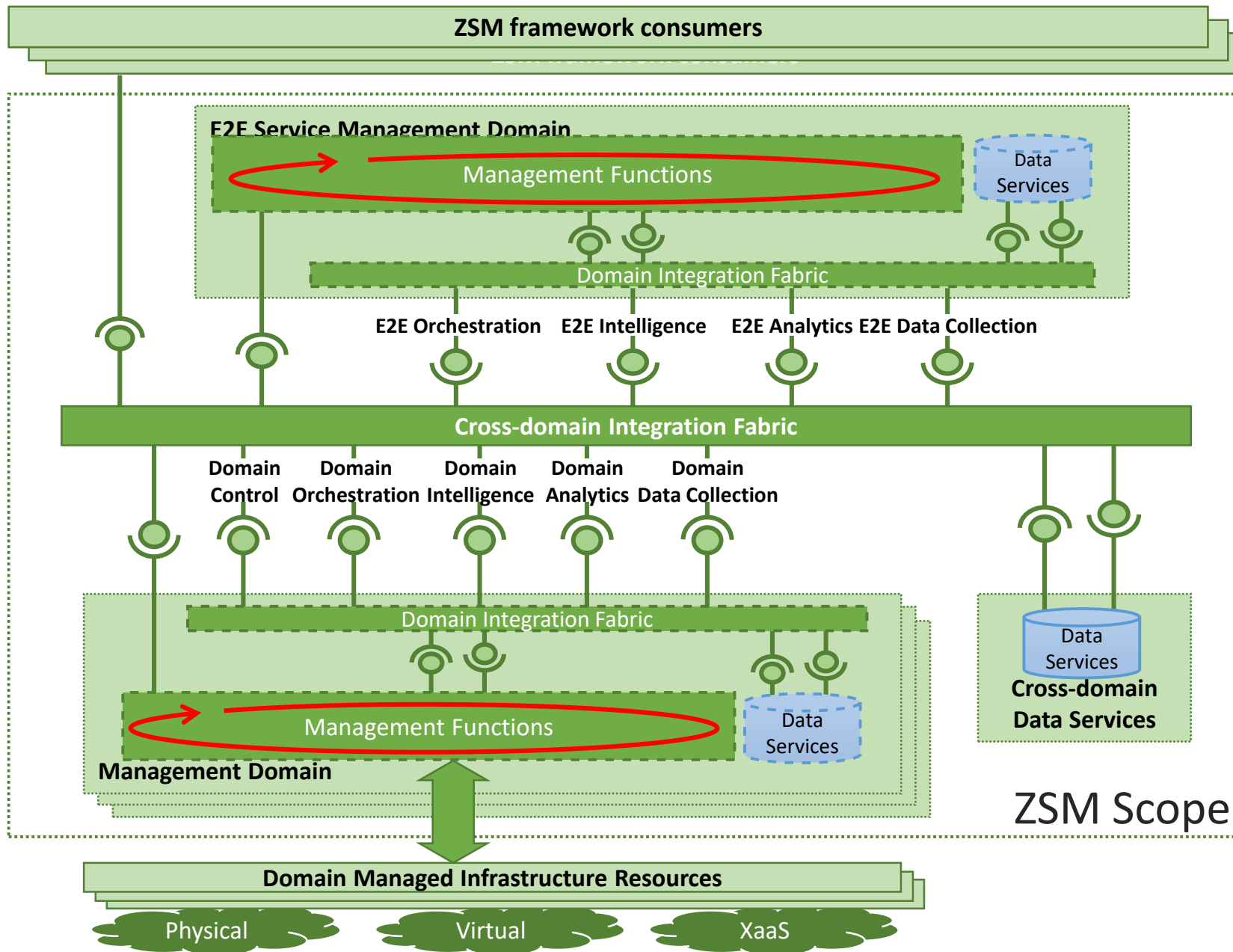


Introduction

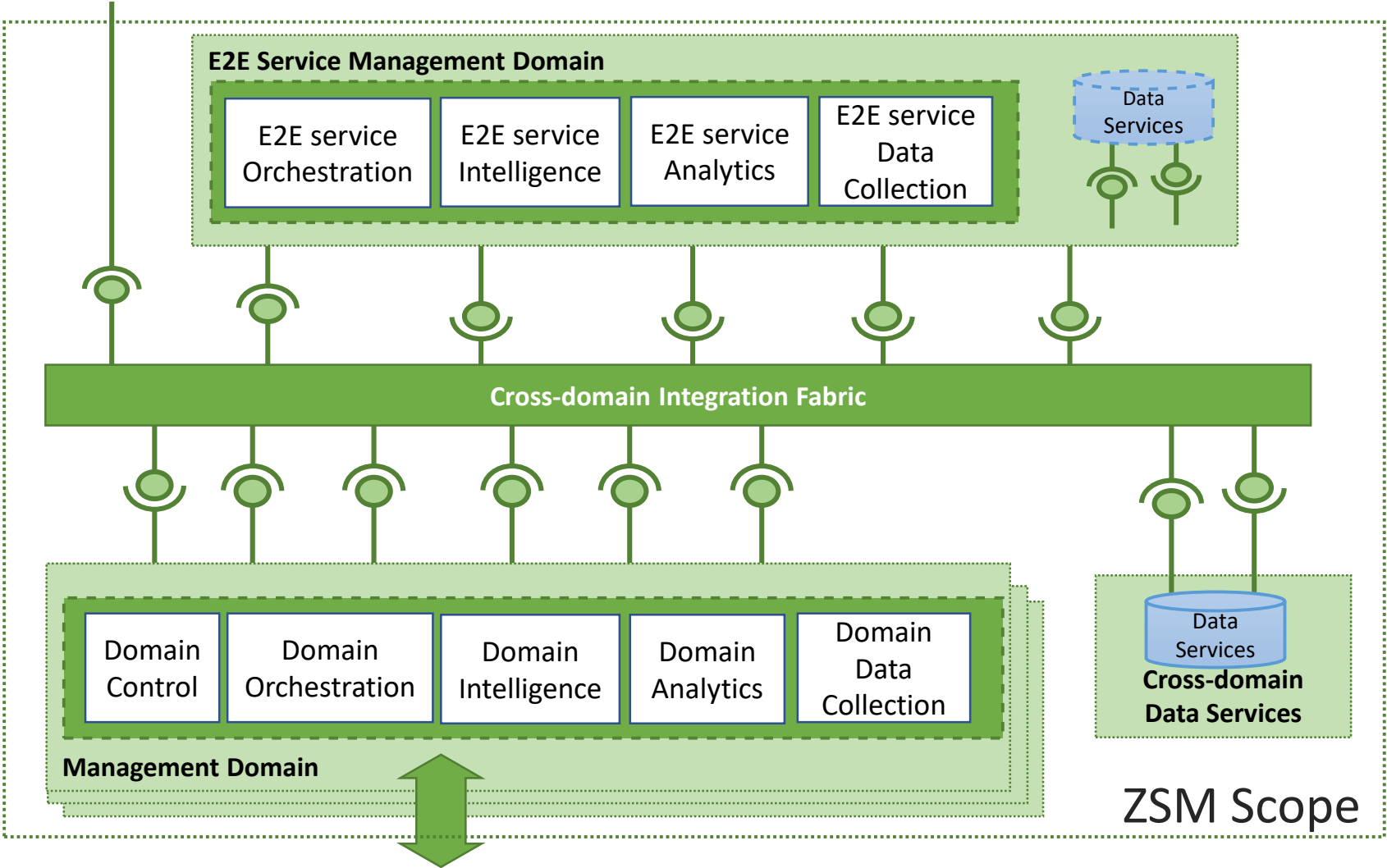
- ETSI-ZSM has the ambition of zero touch service management and has created an architecture
- The approach was shared with ONAP at the joint subcommittee meetings in April 2019
- As a follow-up it was agreed that ETSI-ZSM would make a proposal on how ONAP fits with the ZSM architecture, which will be later shared with the ONAP Architecture subcommittee for review
- This is an initial proposal.
 - It presents an option illustrating how ONAP based implementation (as a whole) would fit into the ZSM architecture
 - It presents an option illustrating how ONAP components would fit into the ZSM architecture and how the components map within a ZSM deployment
 - It's also possible to have other combination options

What is the intent of this presentation?

- The focus is mapping an ONAP implementation architecture into a ZSM functional architecture
- Showcase “*how there is no contradiction but rather a complement of views*”
- Serve as a starting point for further collaboration

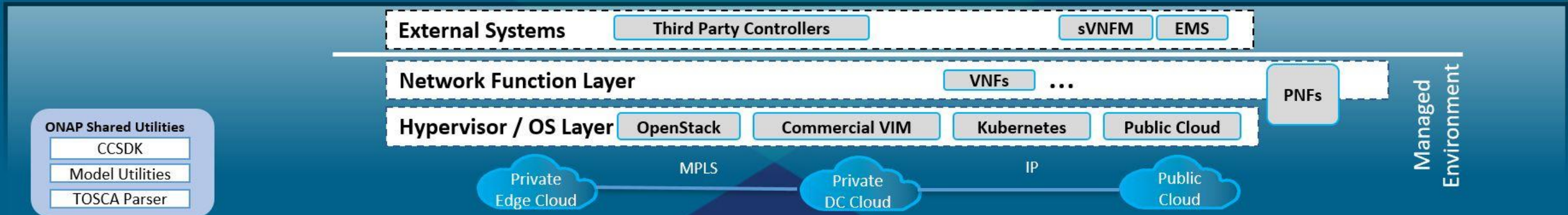
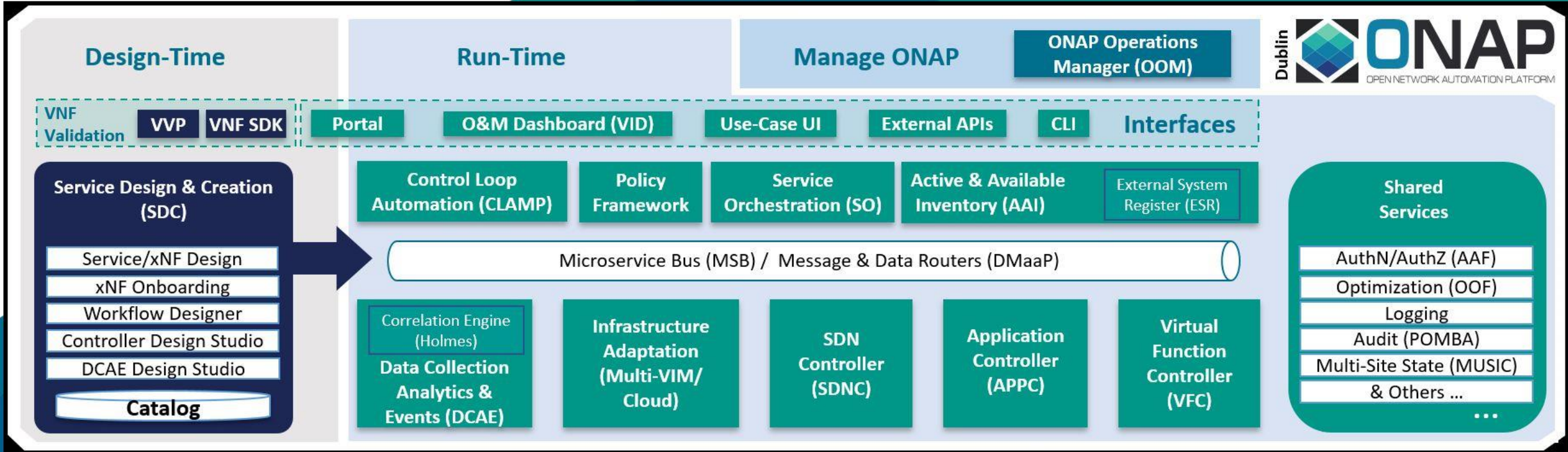


Management Services - Logical Groups

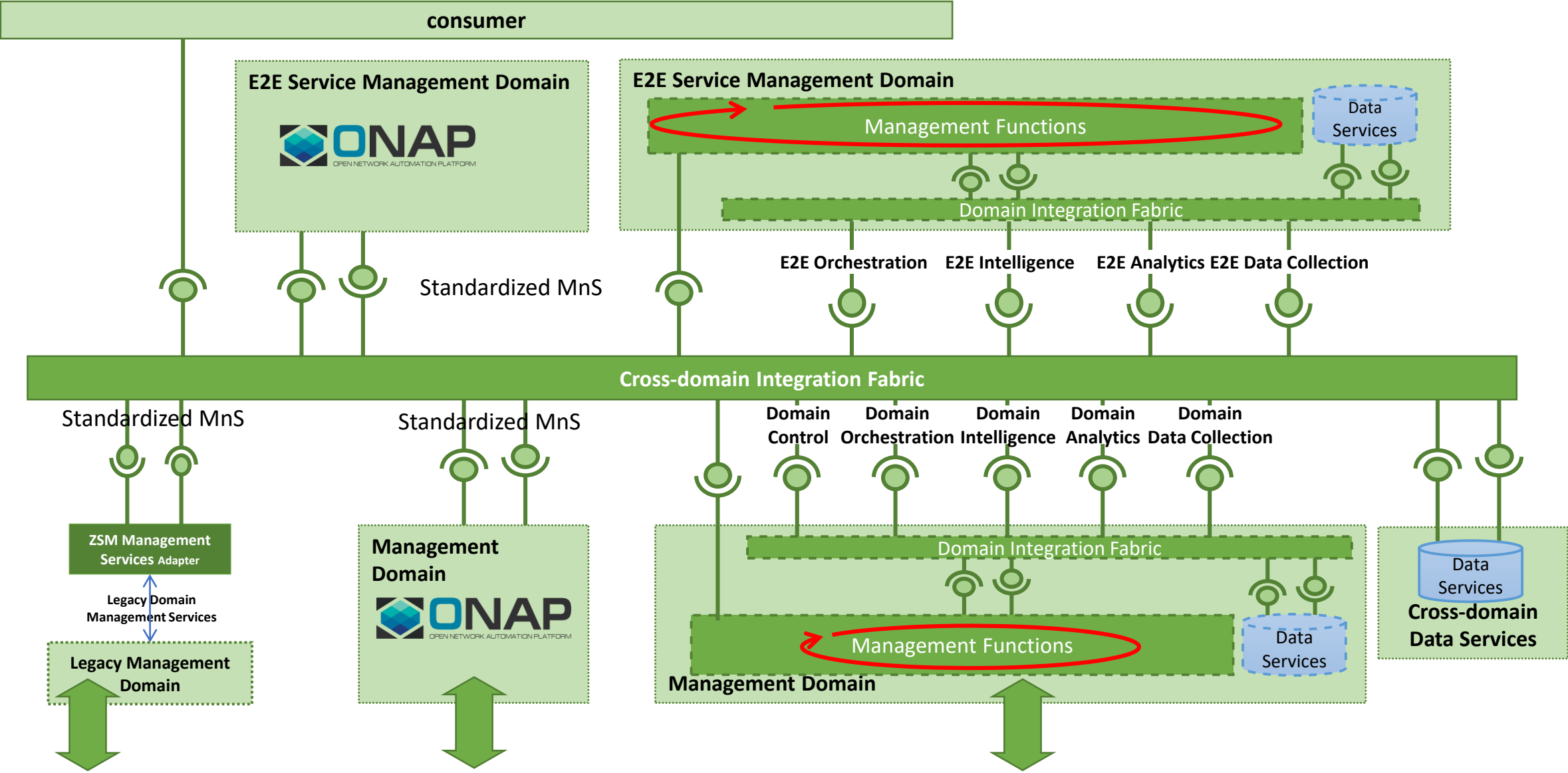


OSS / BSS / Other

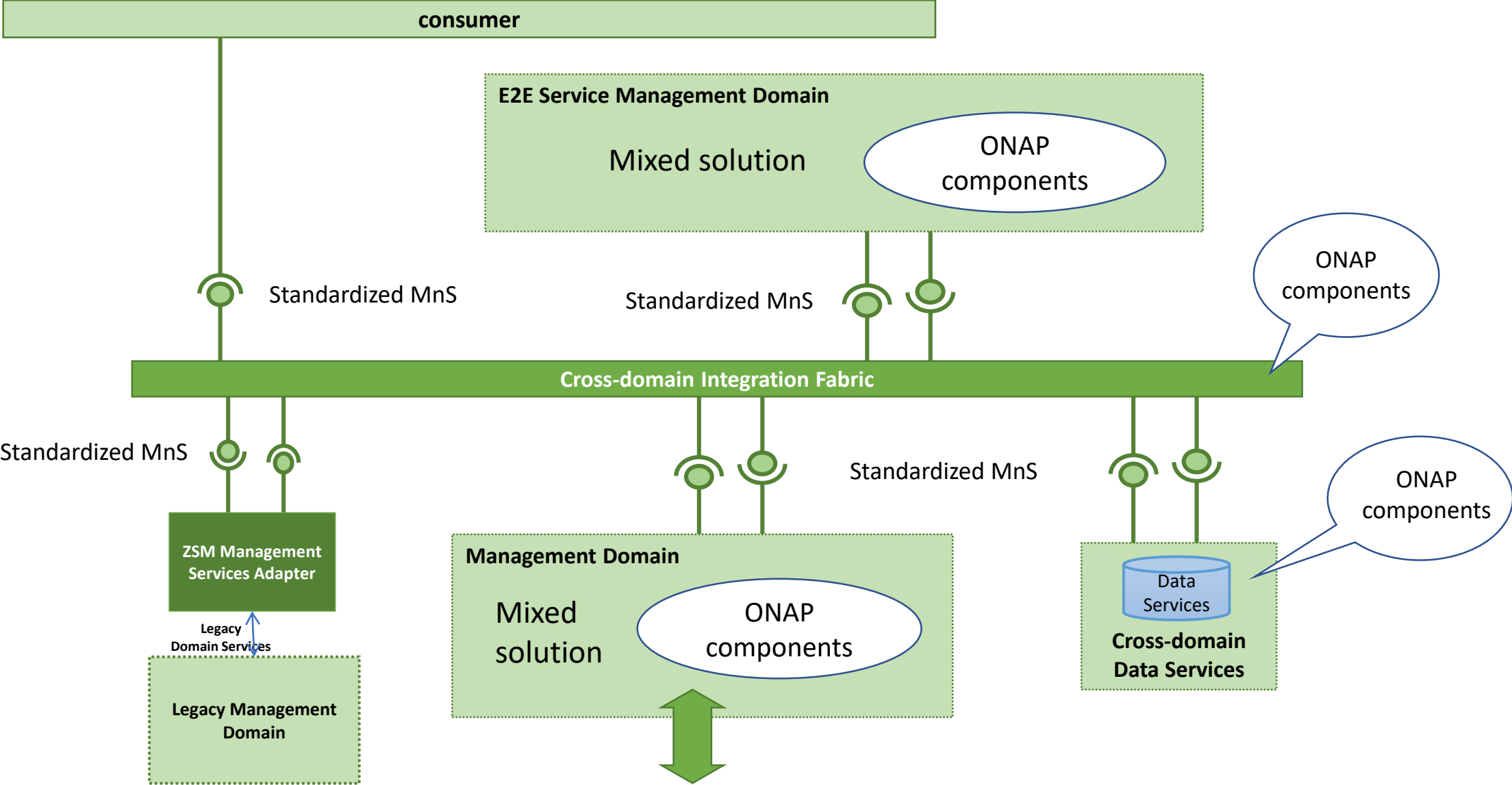
Legend **Design** **Orchestration & Management** **Operations**



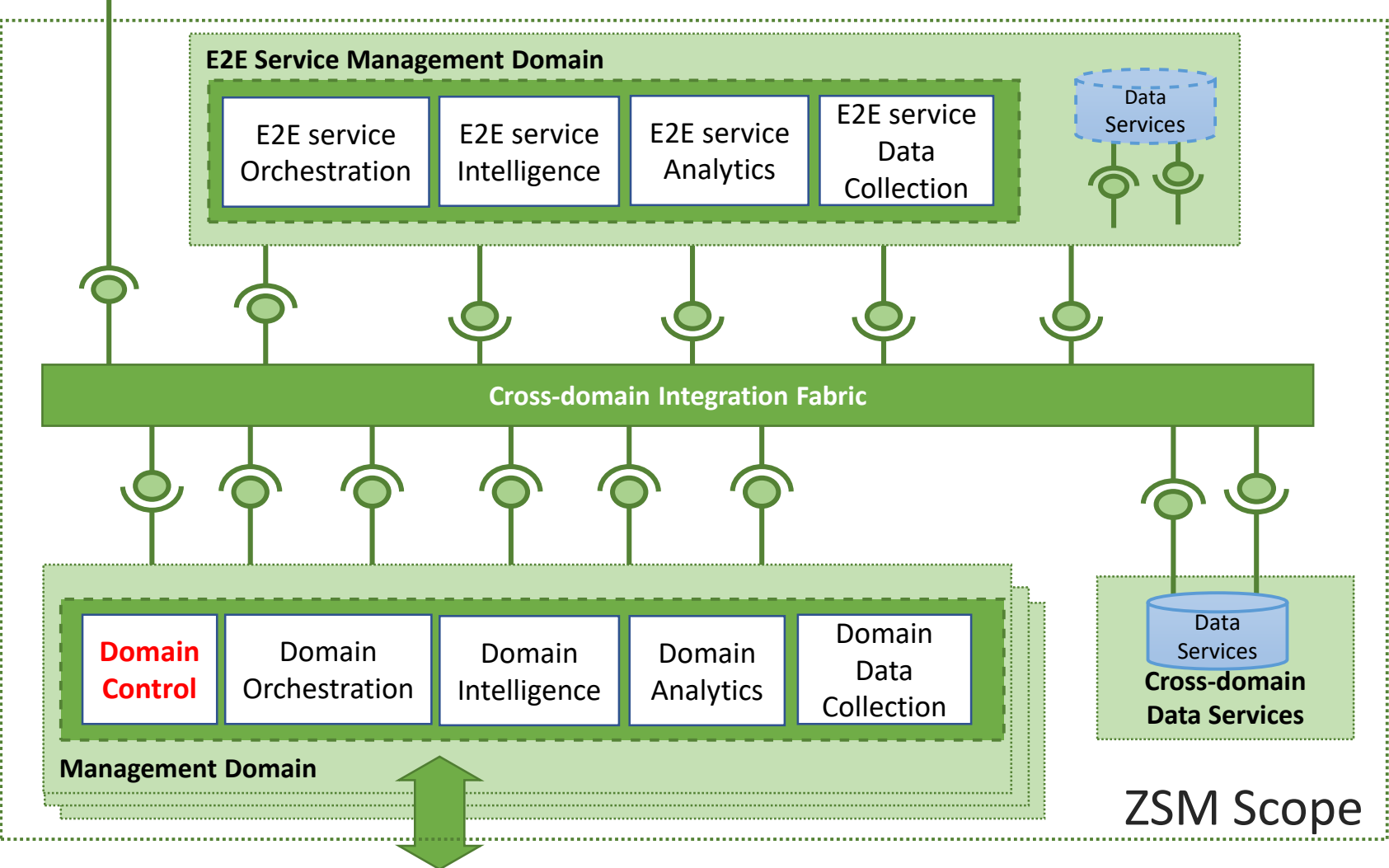
Implementation Options (for ONAP as a whole)



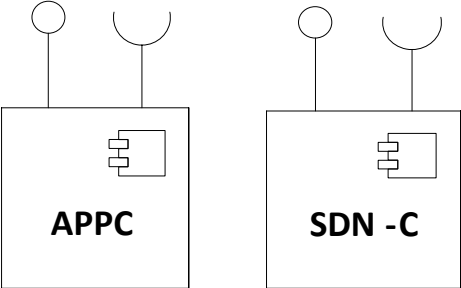
Implementation Options (for leveraging ONAP components)



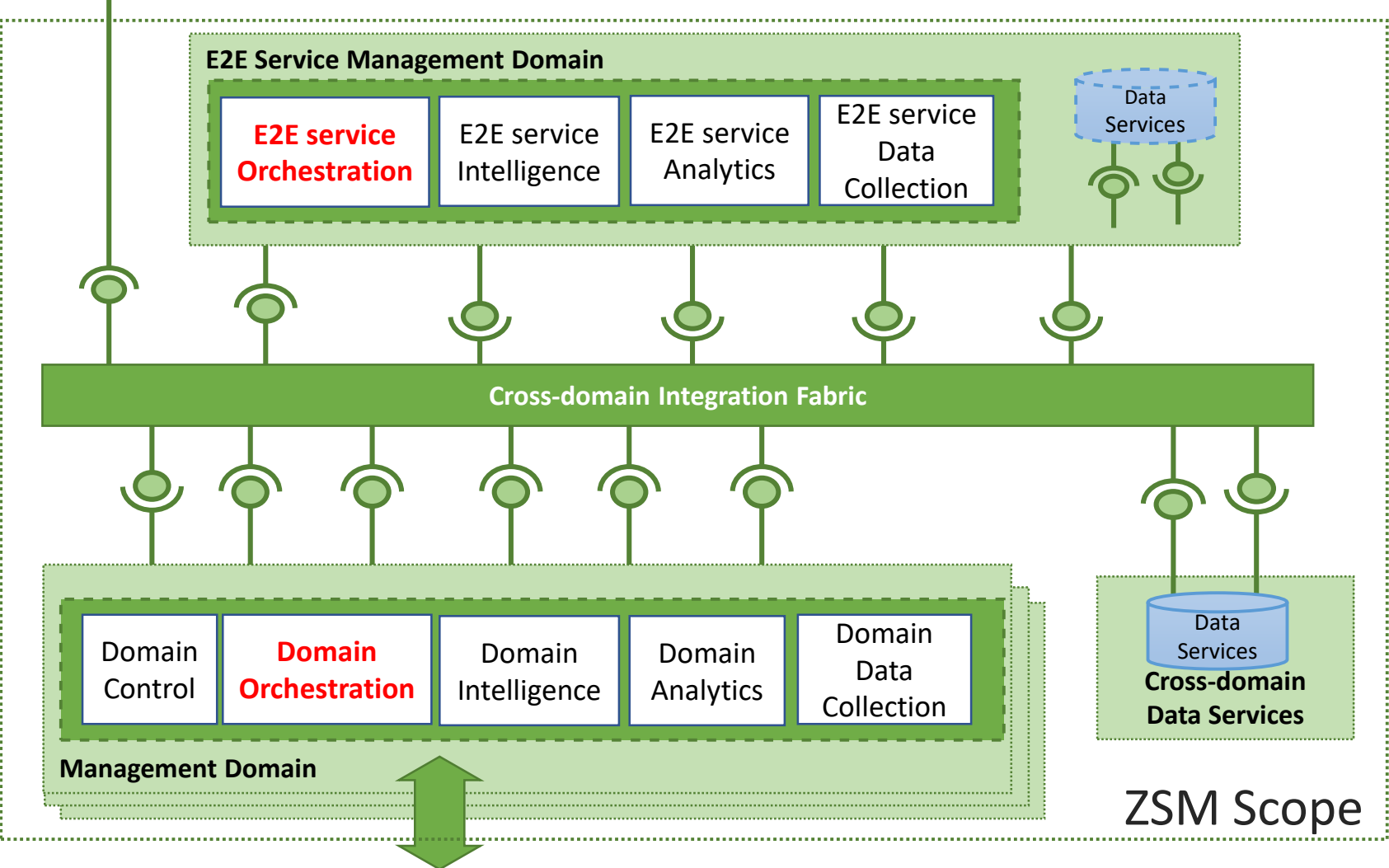
Management Service Groups \leftrightarrow ONAP components



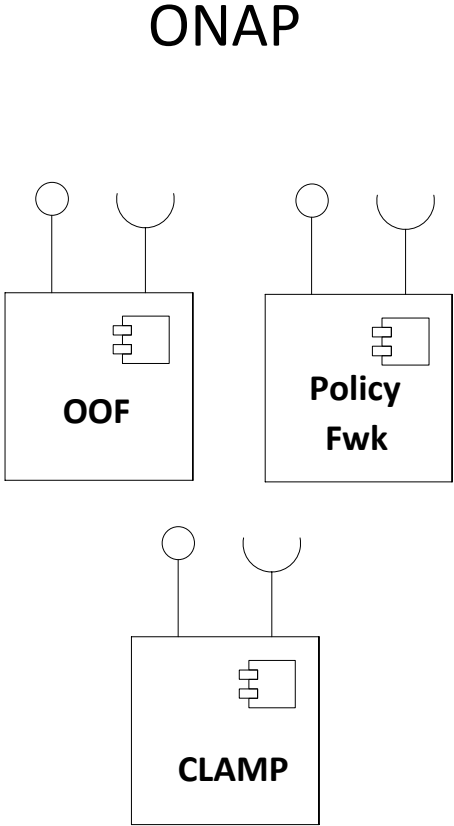
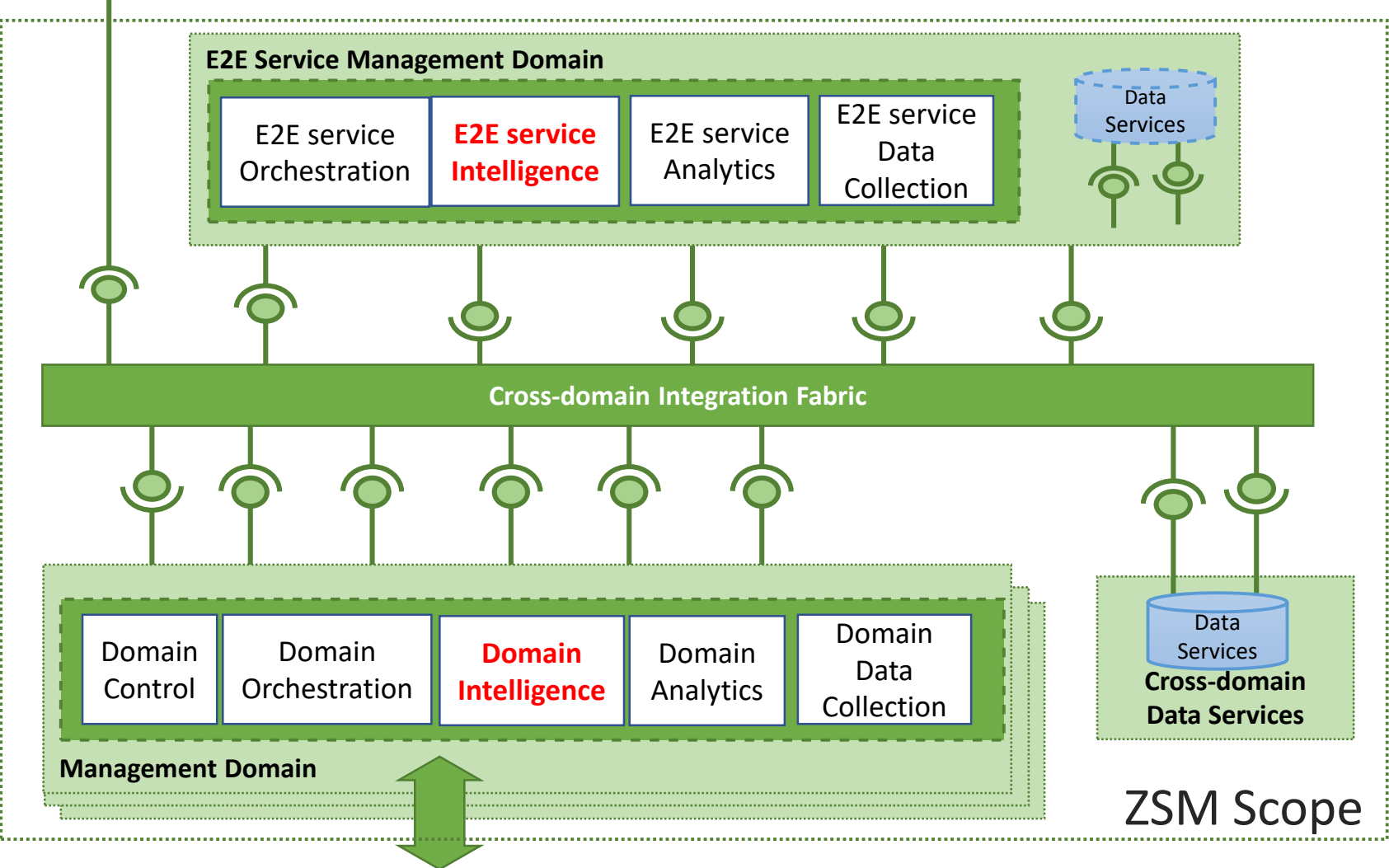
ONAP



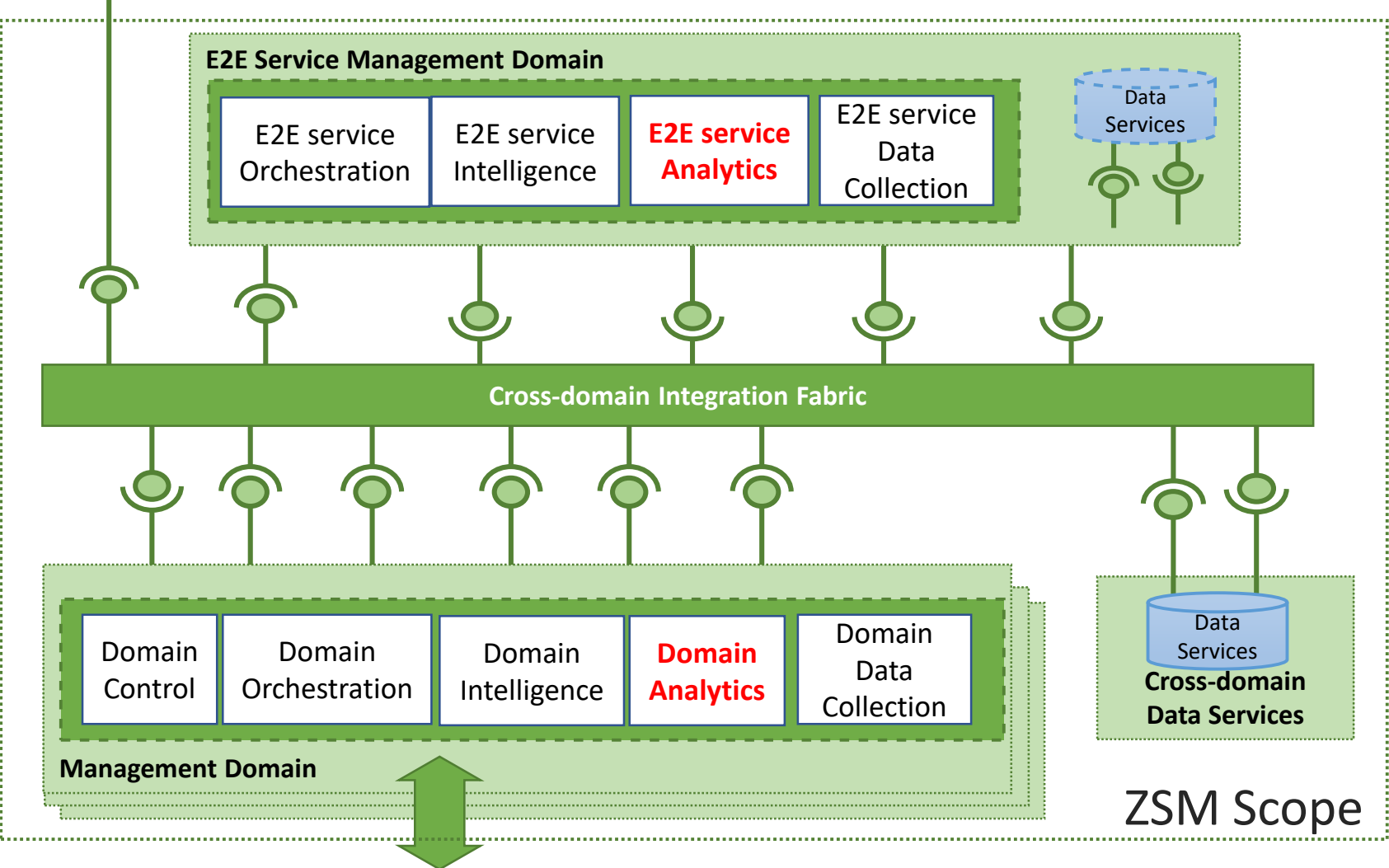
Management Service Groups \leftrightarrow ONAP components



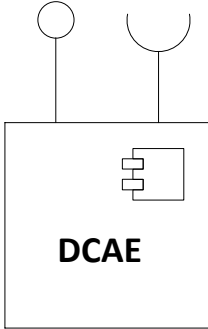
Management Service Groups \leftrightarrow ONAP components



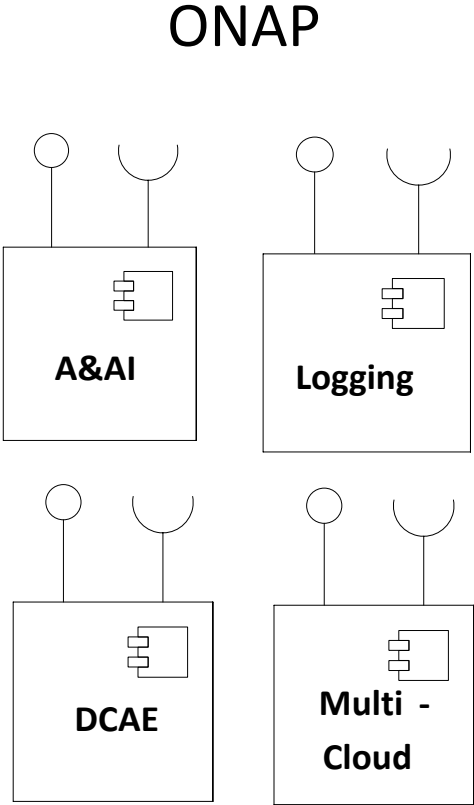
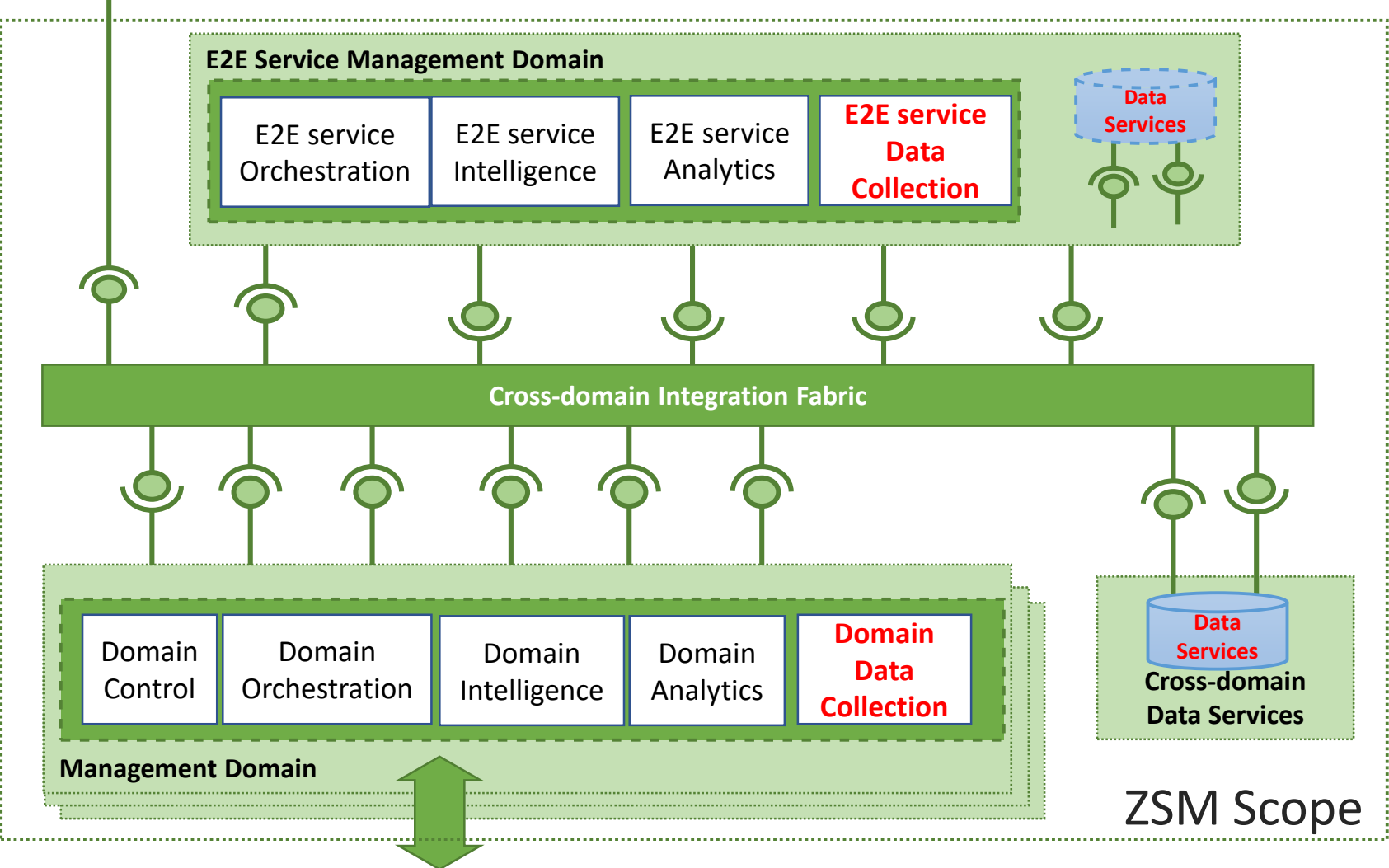
Management Service Groups \leftrightarrow ONAP components



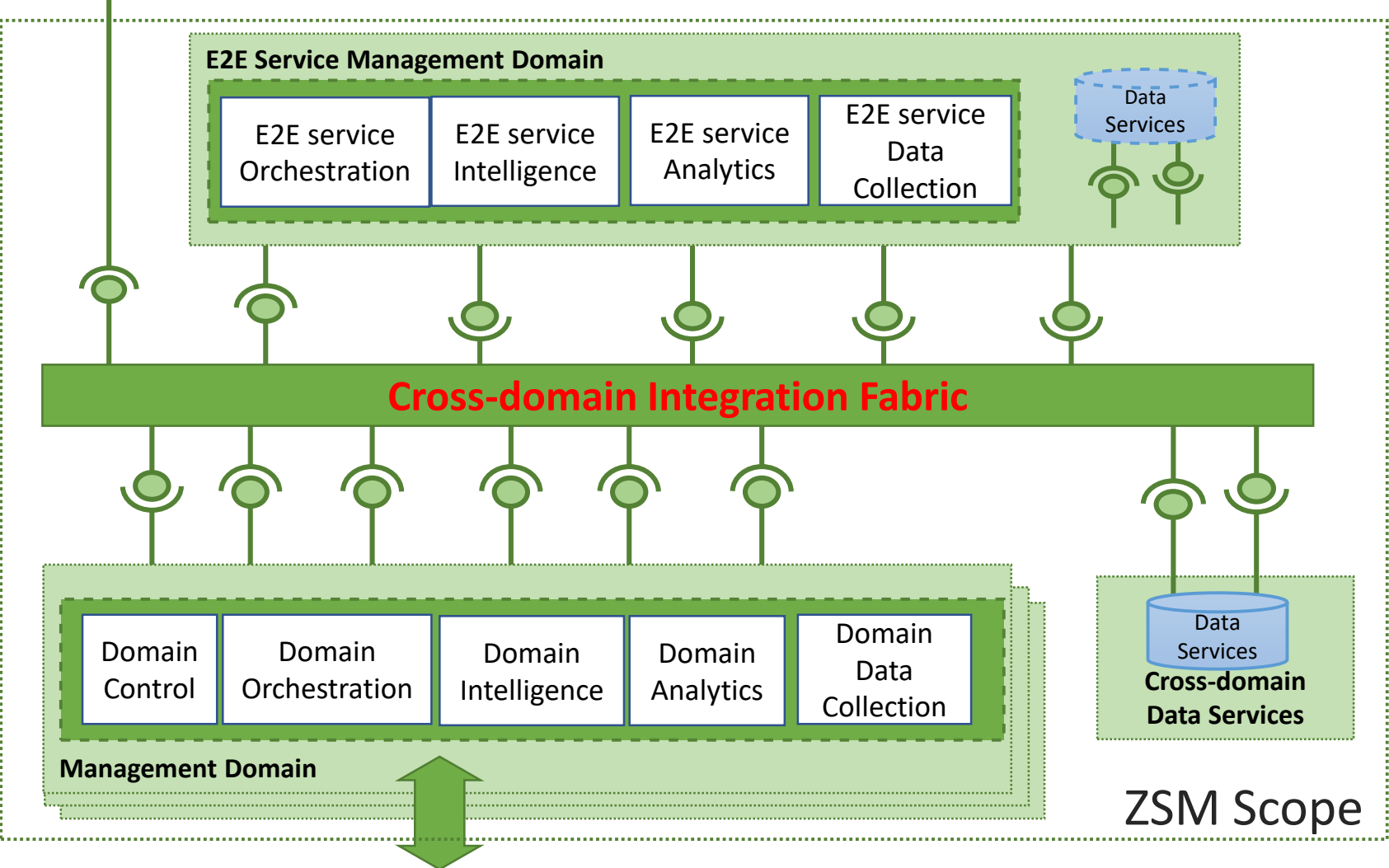
ONAP



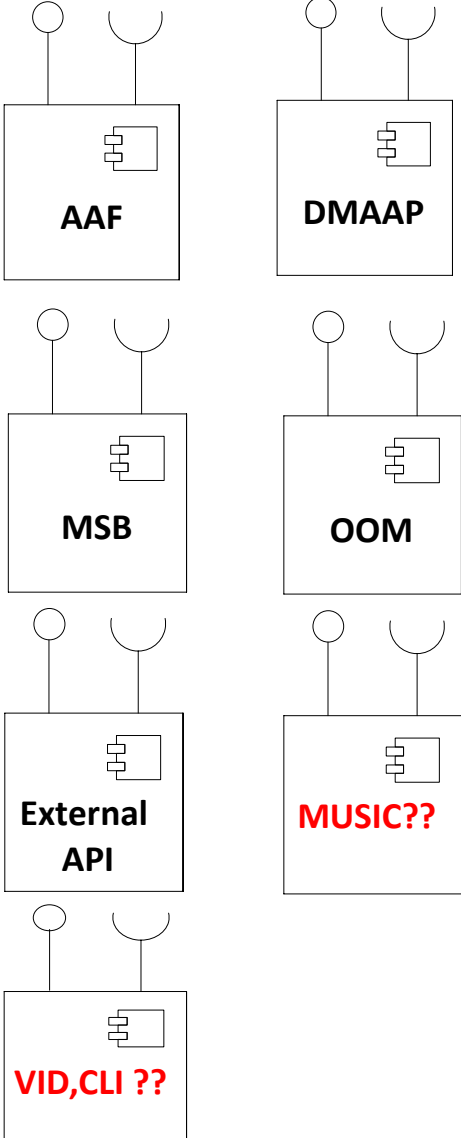
Management Service Groups \leftrightarrow ONAP components



Management Service Groups <--> ONAP components



ONAP



Notes from the ETSI ZSM session at the ONAP joint sub-committee meetings in Antwerp, 26th September 2019