



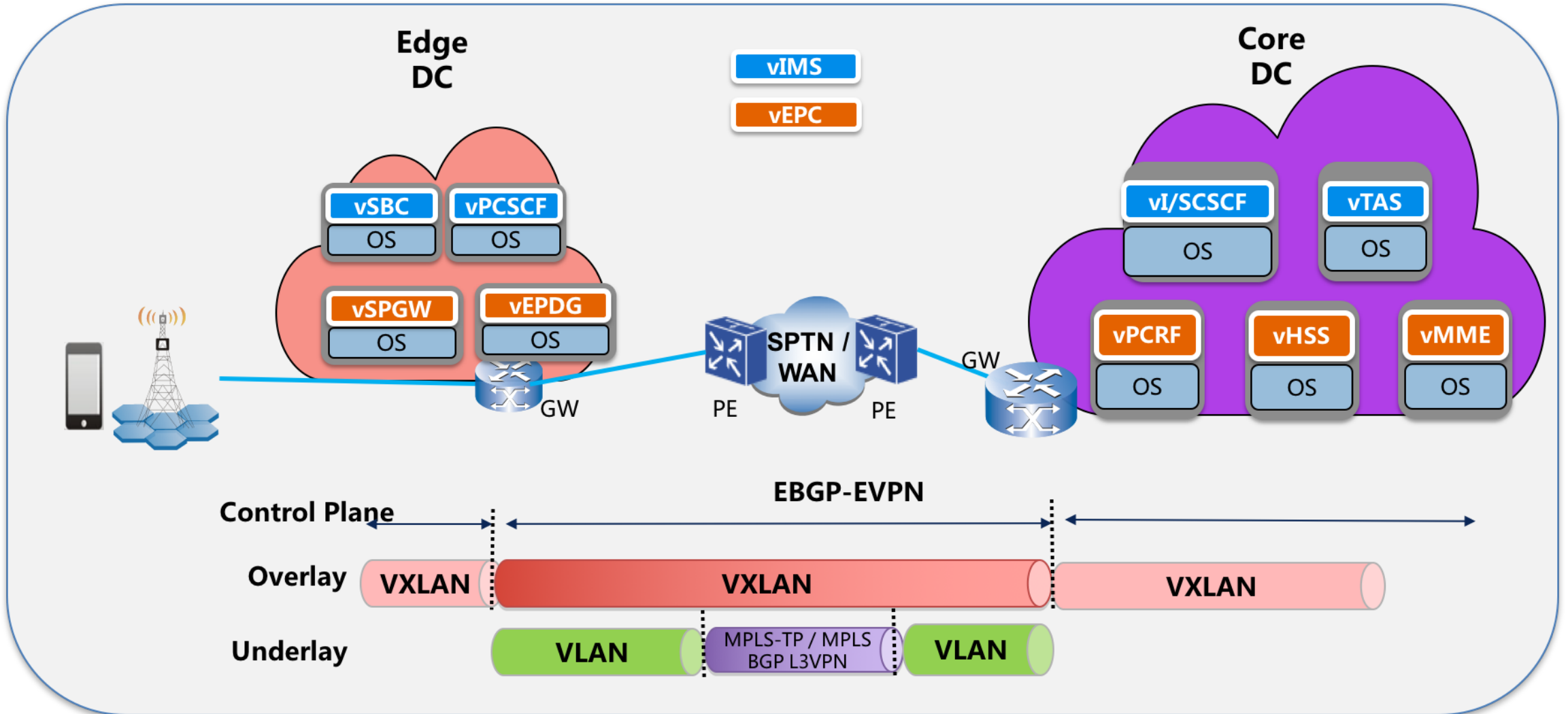
ONAP

OPEN NETWORK AUTOMATION PLATFORM

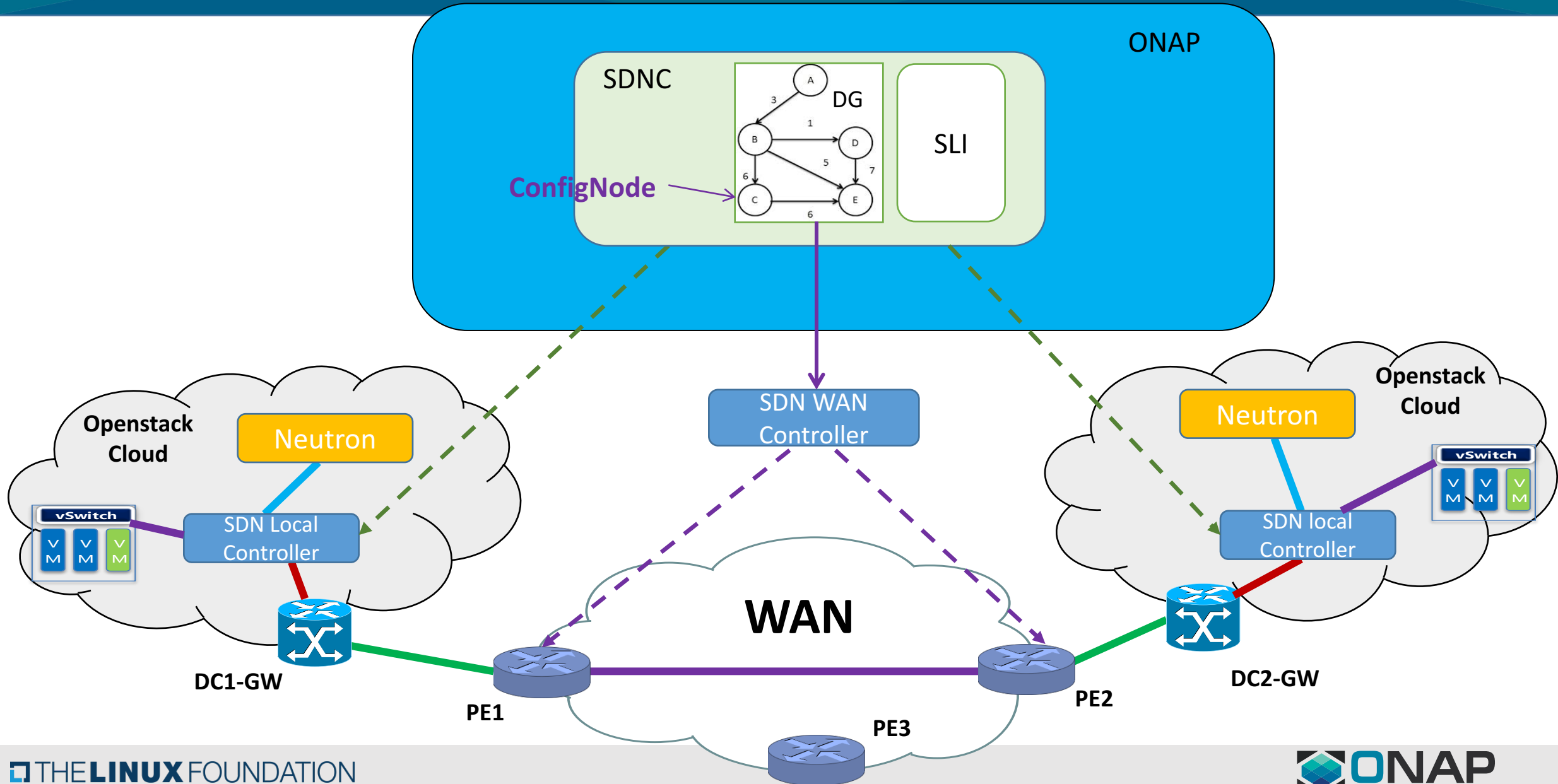
VoLTE Service Design and Instantiation

July 25, 2017

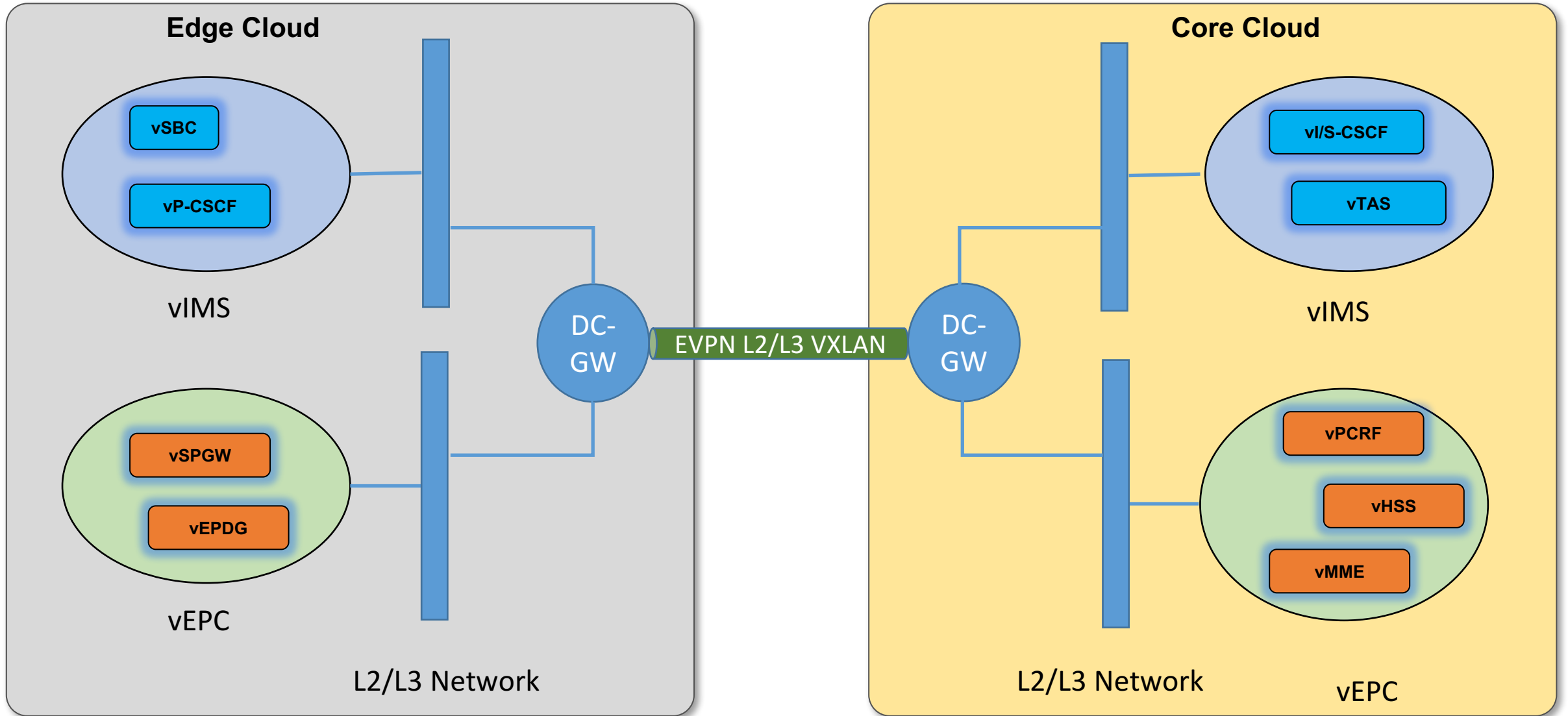
VoLTE Use Case



VoLTE Use Case DCI Overlay and Underlay Network Orchestration

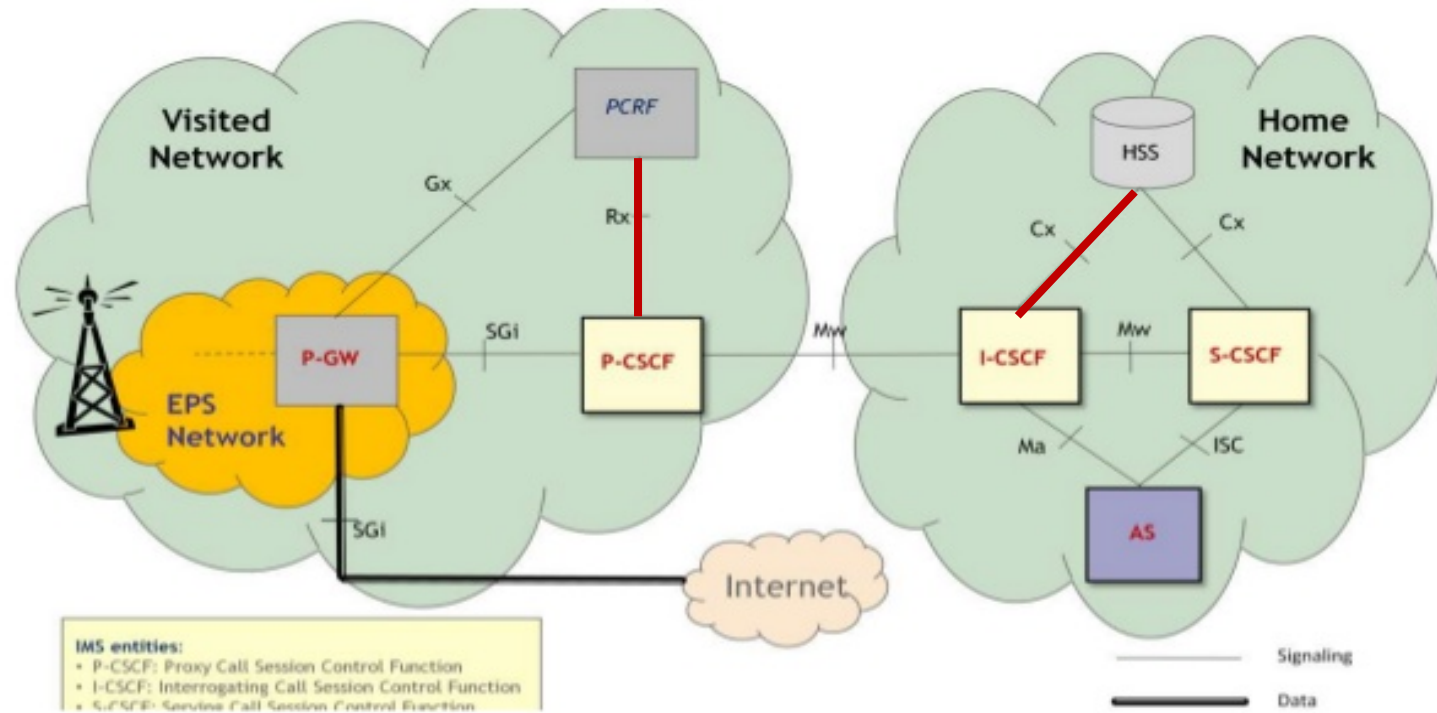


VNFs Interconnected by DCI Network



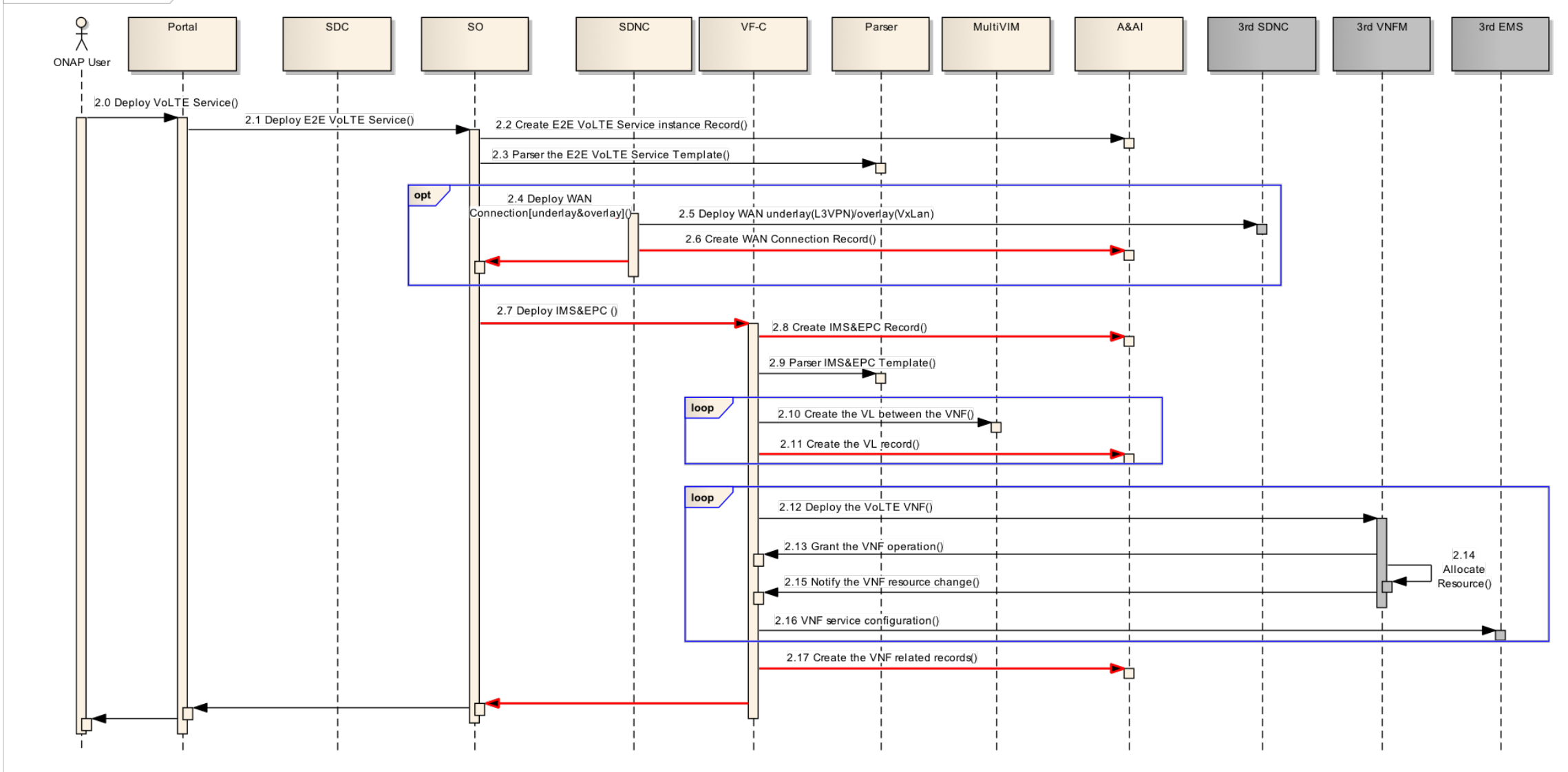
Connections between vEPC and vIMS

VOLTE Architecture



VoLTE Service Instantiation

sd ONAP NS Deploy workflow



Questions on VoLTE Service Design and Instantiation

- 1) Can SDC import and parse TOSCA VNF template? Can SDC design VNF/NS packages based on TOSCA?
- 2) Can we use VID to choose which data center to deploy each VNF component?
- 3) Can SDC design WAN overlay/underlay network connections with PNF resources?
- 4) Can we let VID pick PNFs and input parameters (e.g. VLAN id, VXLAN vni, network id, irt, ert, etc) when instantiating a connection?
- 5) Can SDC put the two NSs templates and DCI network template together, and create one E2E service template?
- 6) Can SO parse the E2E service template and call SDNC to create DCI network and VFC to create 2 NSs with all the information imported and collected by SDC and VID?