



ONAP

OPEN NETWORK AUTOMATION PLATFORM

ONAP

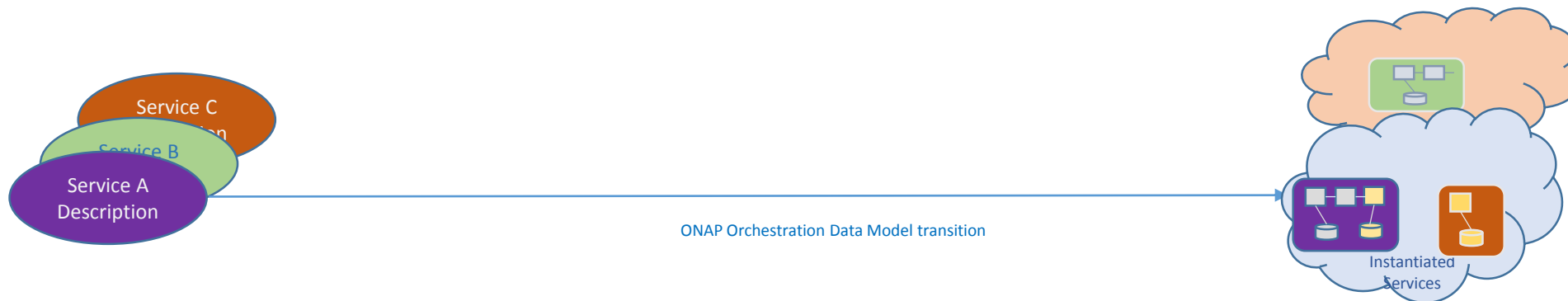
Model Driven Orchestration

Current View

Chaker Al-Hakim

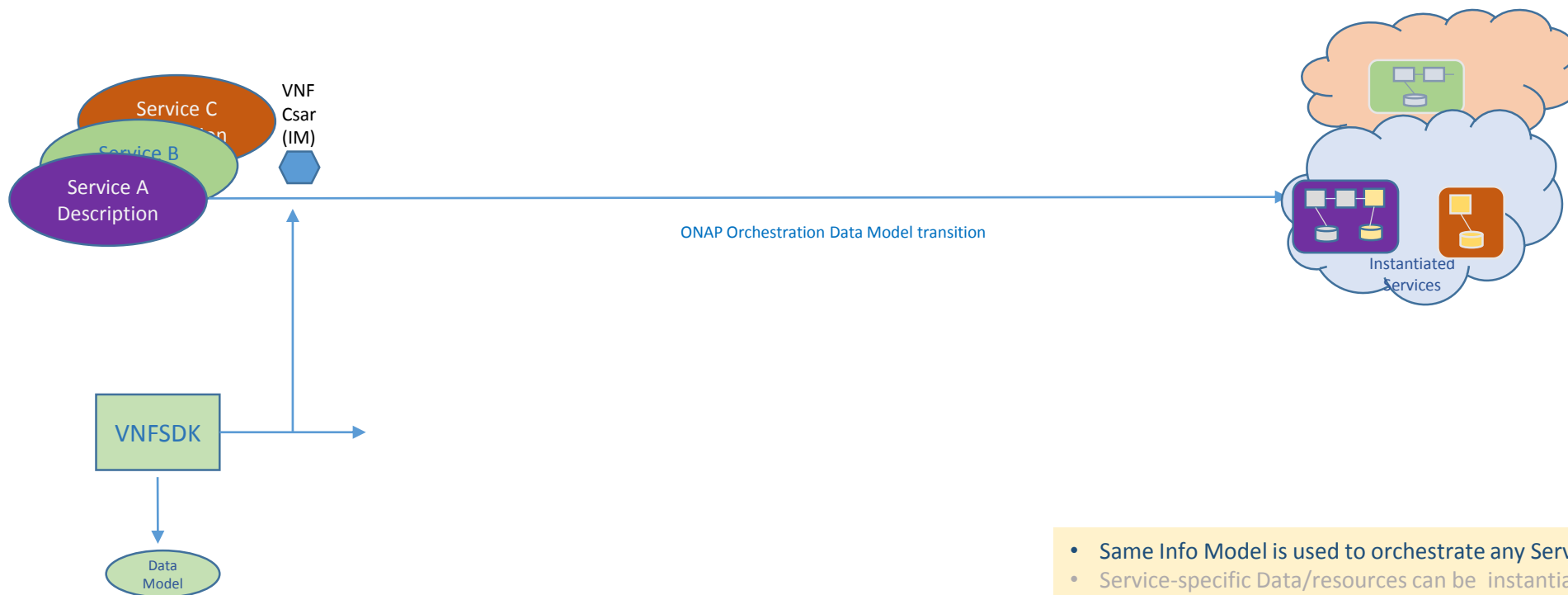
Huawei

ONAP Orchestration Data Model



- Same Model is used to orchestrate any Service
- Is independent of the Cloud infrastructure
- Service-specific Data/Resources can be instantiated during orchestration
- A Common Service instances represents all/any Service(s)

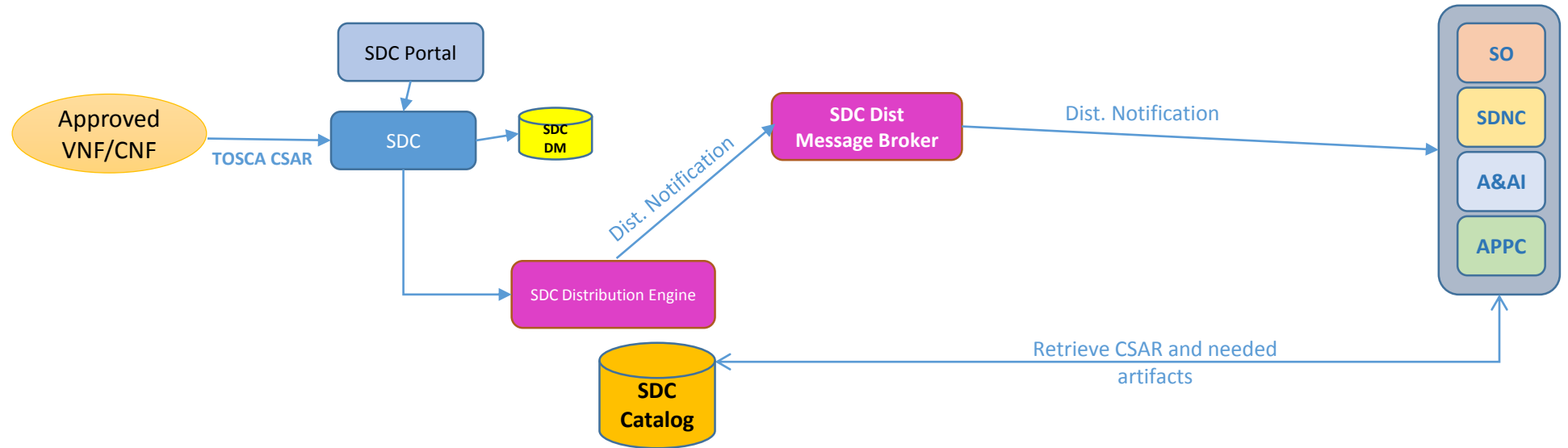
ONAP Orchestration Data Model *Transition State/timeline*



- Same Info Model is used to orchestrate any Service
- Service-specific Data/resources can be instantiated during orchestration
- A Common Service instances represents all/any Service(s)
- Is independent of the Cloud infrastructure

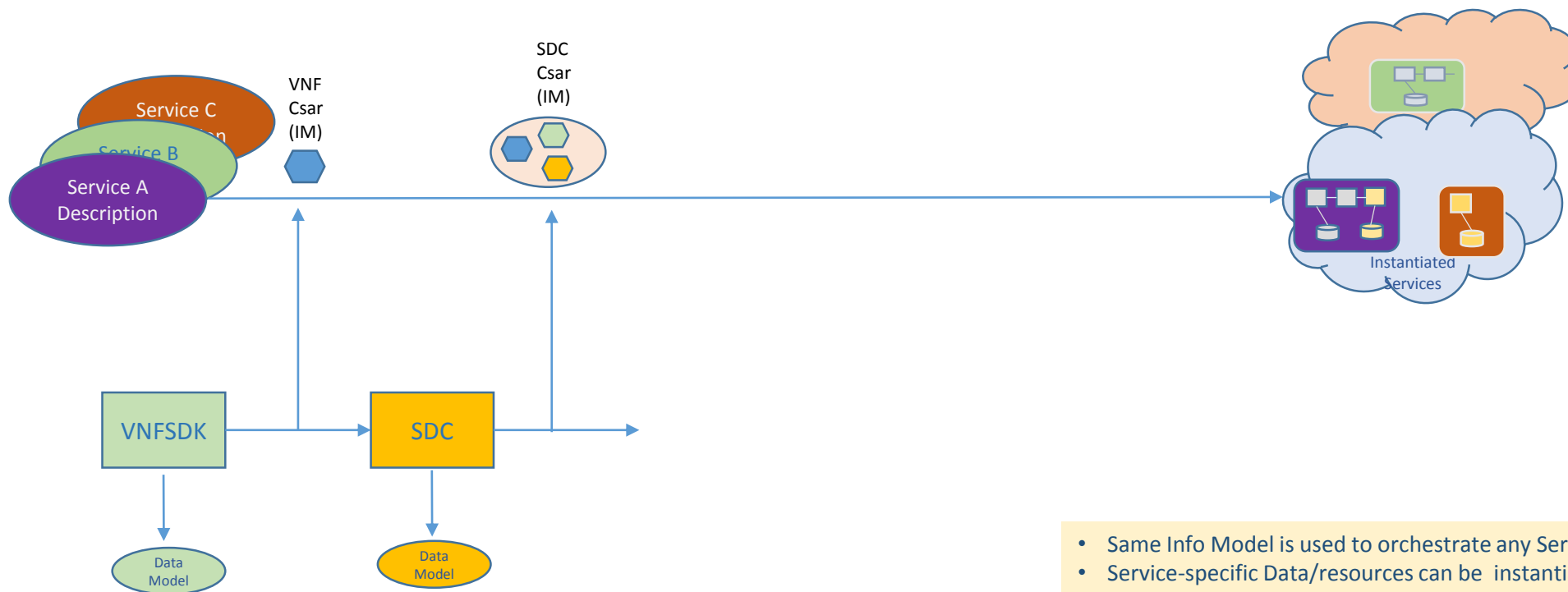
ONAP Service Creation and Onboarding

- VNFSDK provides the TOSCA template for the VNF
- SDC uses the TOSCA template and inputs from SDC Portal to create a complete Service (tosca csar)
- SDC Sends a notification to SO, SDNC, A&AI and APPC that triggers the retrieval of the CSAR



ONAP Orchestration Data Model

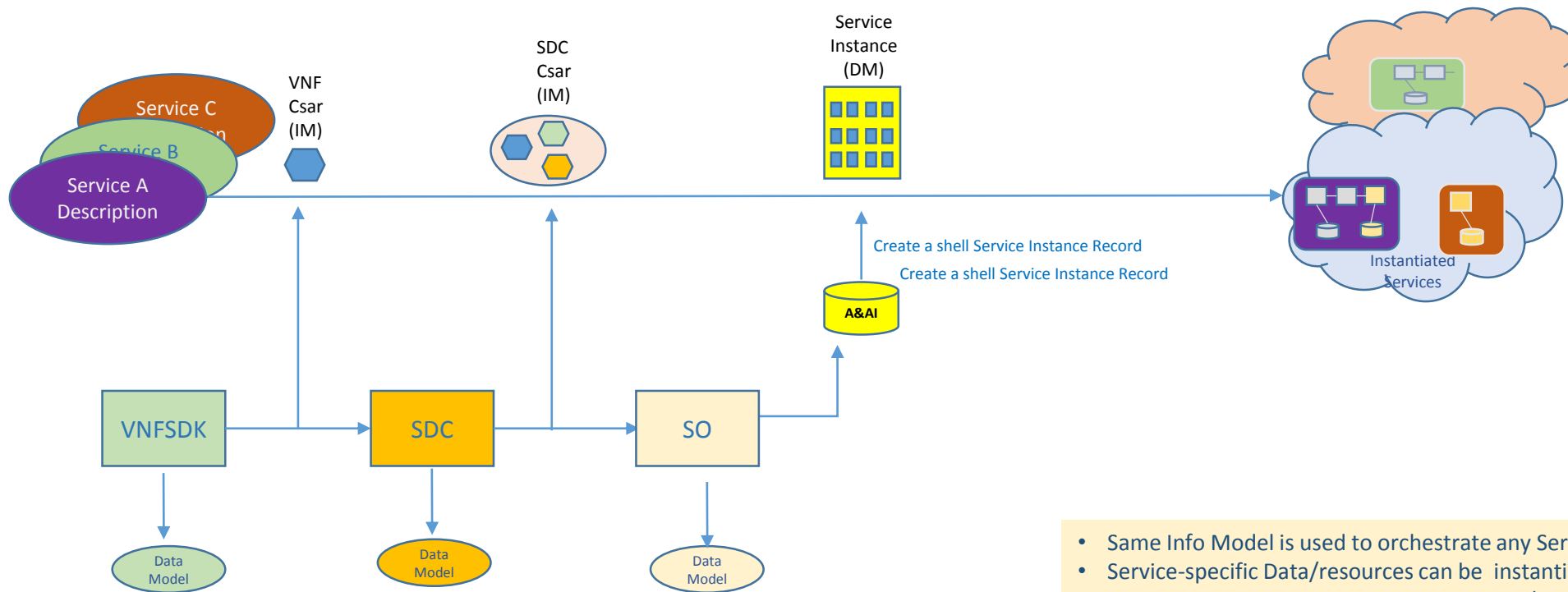
Transition State/timeline



- Same Info Model is used to orchestrate any Service
- Service-specific Data/resources can be instantiated during orchestration
- A Common Service instances represents all/any Service(s)
- Is independent of the Cloud infrastructure

ONAP Orchestration Data Model

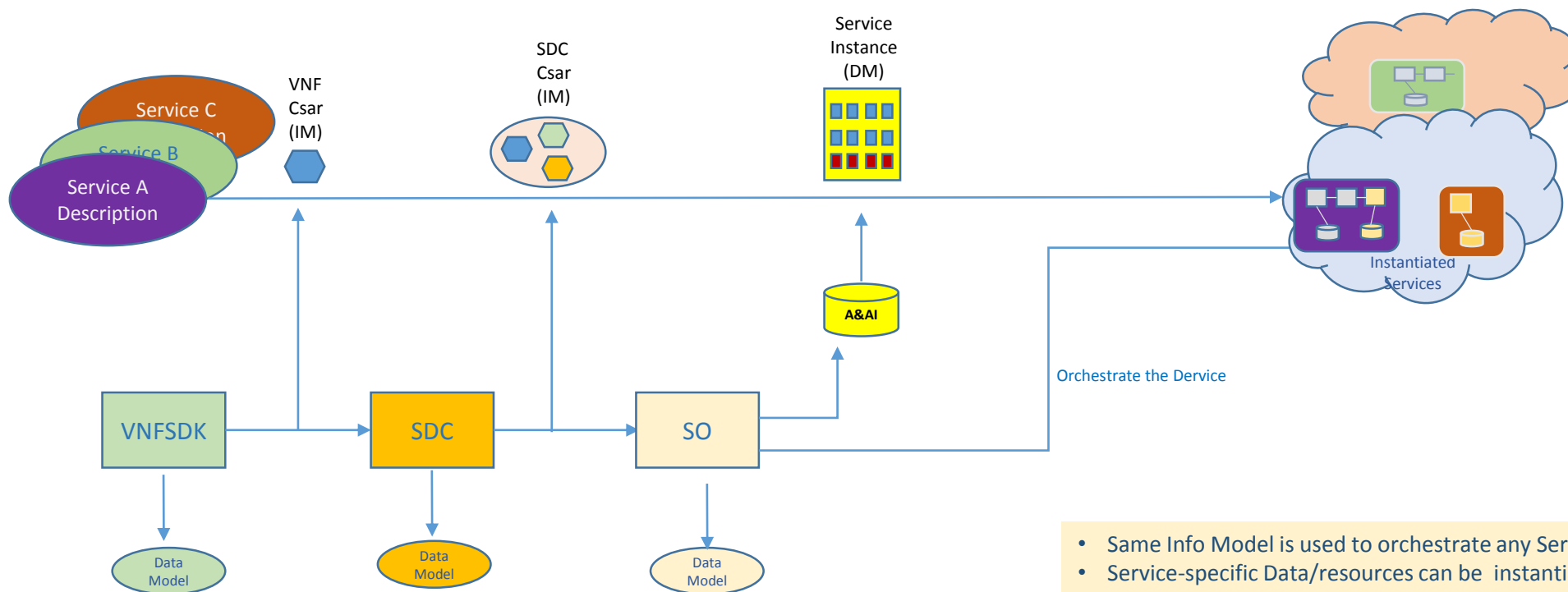
Transition State/timeline



- Same Info Model is used to orchestrate any Service
- Service-specific Data/resources can be instantiated during orchestration
- A Common Service instances represents all/any Service(s)
- Is independent of the Cloud infrastructure

ONAP Orchestration Data Model

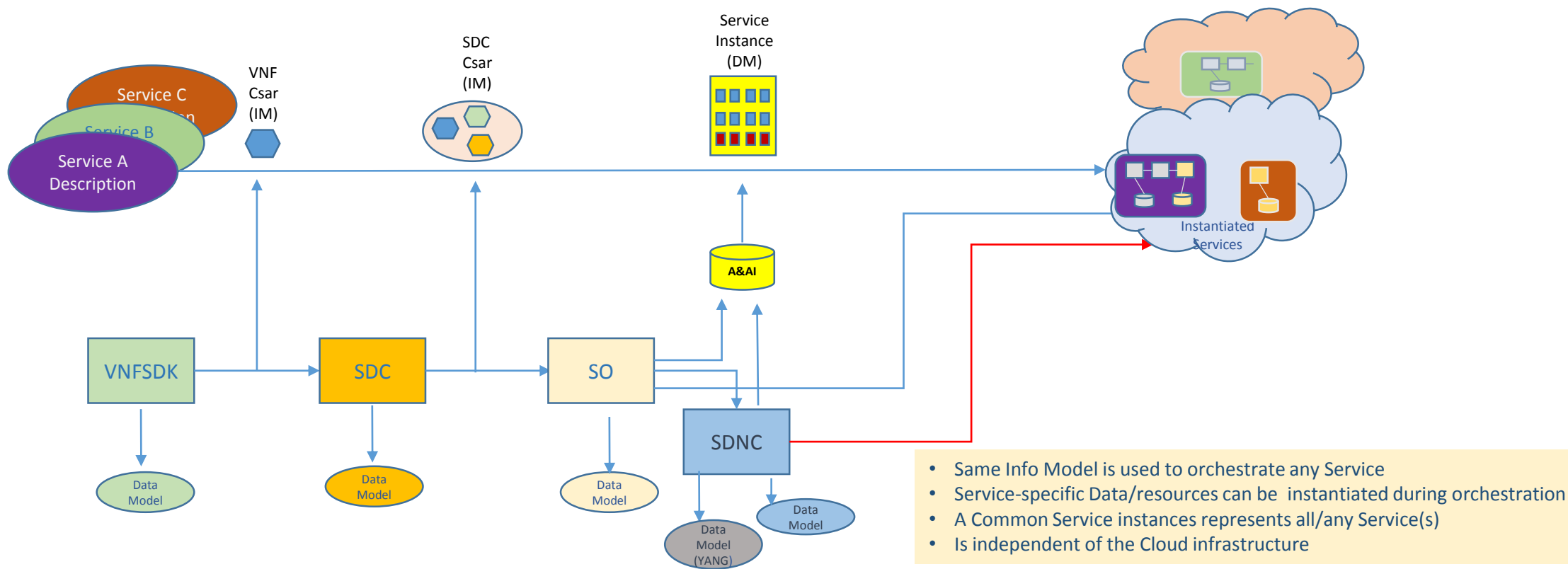
Transition State/timeline



- Same Info Model is used to orchestrate any Service
- Service-specific Data/resources can be instantiated during orchestration
- A Common Service instances represents all/any Service(s)
- Is independent of the Cloud infrastructure

ONAP Orchestration Data Model

Transition State/timeline



- Same Info Model is used to orchestrate any Service
- Service-specific Data/resources can be instantiated during orchestration
- A Common Service instances represents all/any Service(s)
- Is independent of the Cloud infrastructure

Backup Slides